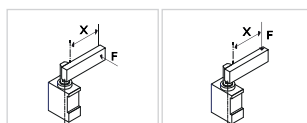

**ULR63\_\_A\_K0**
**4** STROKE

**6** ROD ORIENTATION

**4**      **6**

 015 = 15 mm  
 025 = 25 mm  
 040 = 40 mm  
 050 = 50 mm  
 060 = 60 mm

 E = East  
 O = West  
 N = North  
 S = South


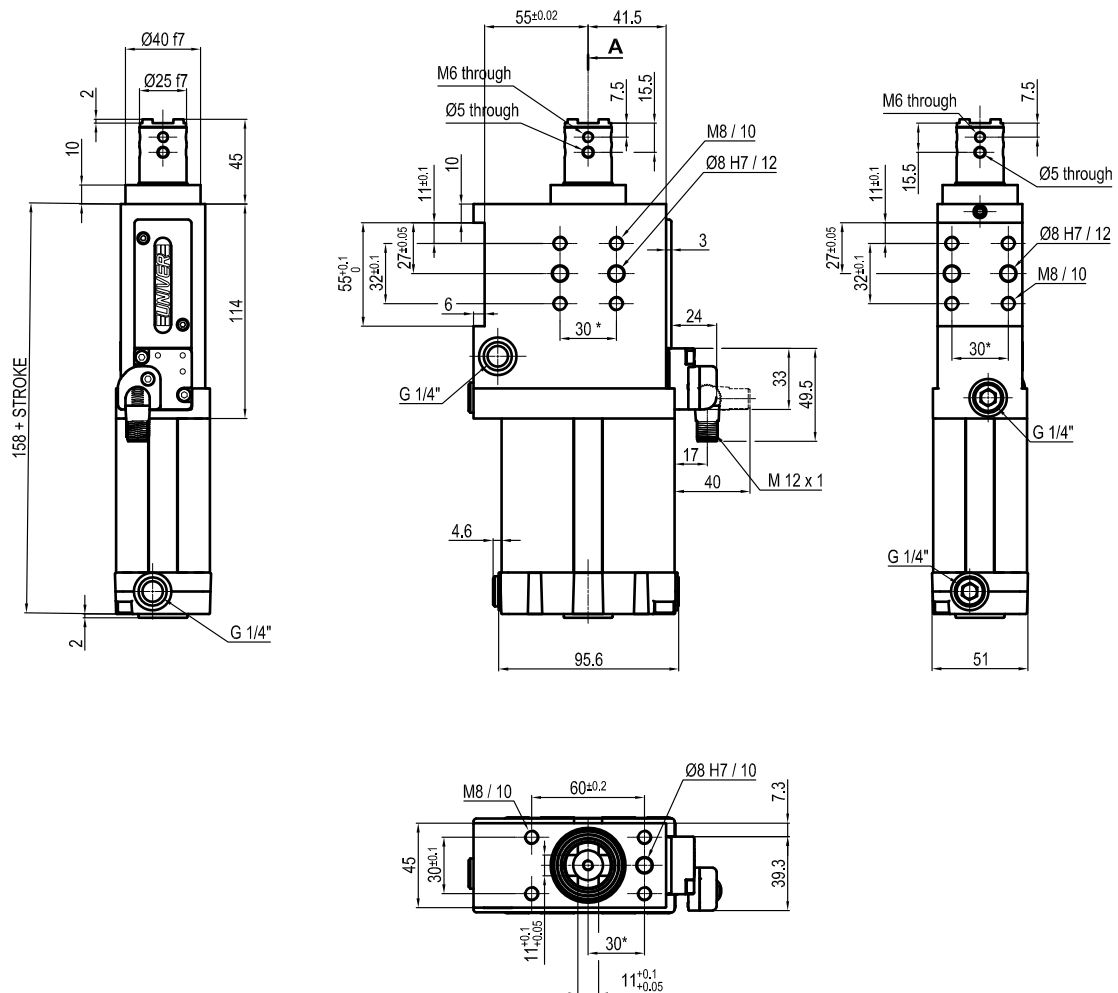
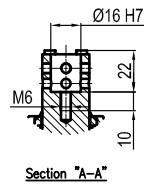
Bore Ø	Max. pull force 0,5 MPa	Max. push force 0,5 MPa	Max. torque 6 Nm X=100 mm	Max. deflection moment 7,5 Nm X=100 mm	Weight
63 mm	1430 N	1530 N	± 0.06 mm	± 0.03 mm	3,2 Kg

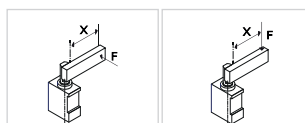
 Min./Max. operating pressure: **0,4 / 0,6 MPa**  
 Operating temperature: **5° ± 45° C**  
 Strokes in mm.: **15 - 25 - 40 - 50 - 60**  
 Electronic sensor with M12 swivel connector, from 0° to 90°  
 Supply voltage: **10 ÷ 30 Vdc**  
 IP code: **IP 65**

\*: TOLERANCE BETWEEN DOWELS ± 0,02, BETWEEN SCREW HOLES ± 0,1

Subject to technical modifications without notice

Rev. 00 14.06.21


**ULR63\_\_CXK0**
**4 STROKE**
**4**

 015 = 15 mm  
 025 = 25 mm  
 040 = 40 mm  
 050 = 50 mm  
 060 = 60 mm


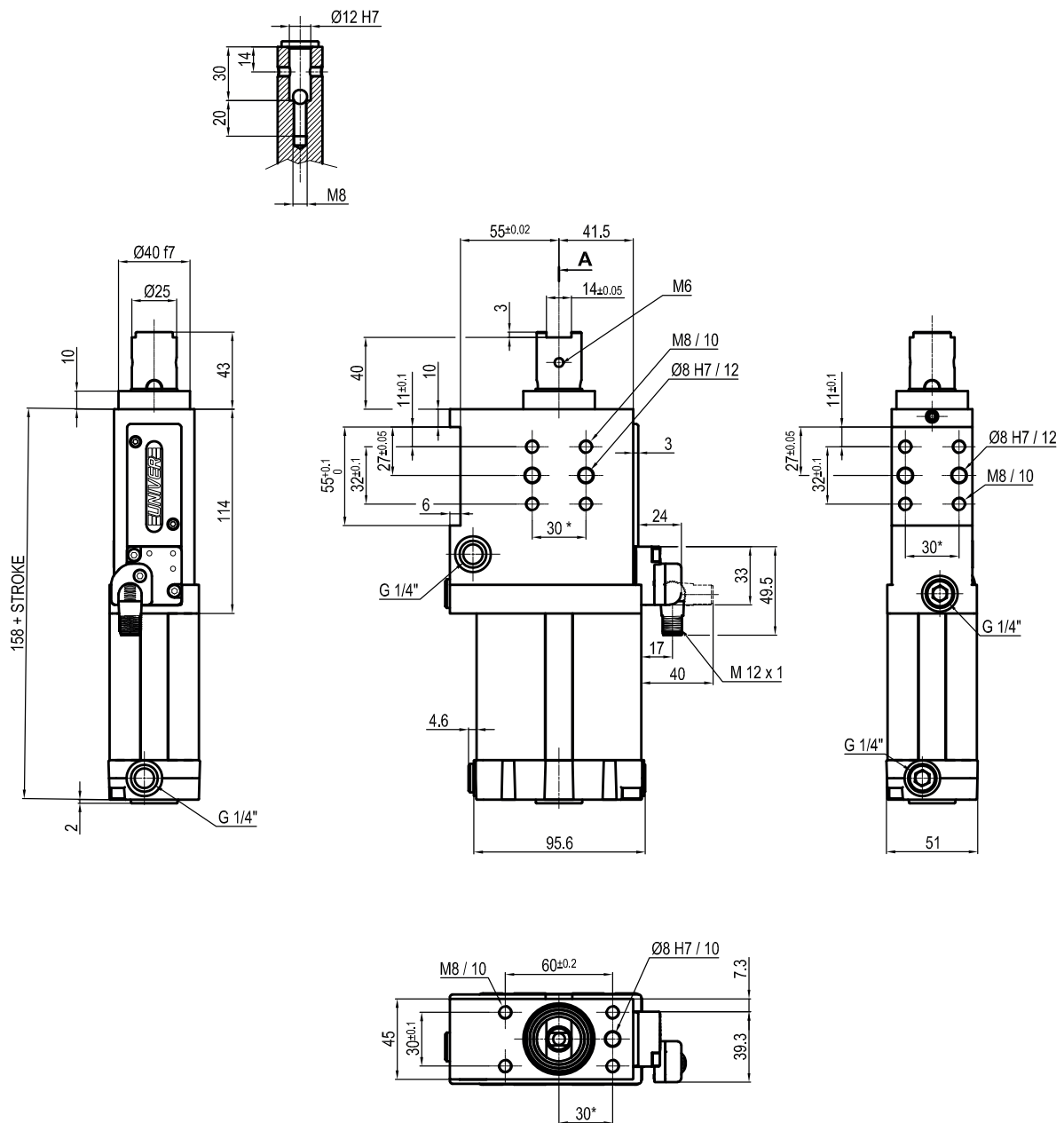
Bore Ø	Max. pull force 0,5 MPa	Max. push force 0,5 MPa	Max. torque 6 Nm X=100 mm	Max. deflection moment 7,5 Nm X=100 mm	Weight
63 mm	1430 N	1530 N	± 0.06 mm	± 0.03 mm	3,2 Kg

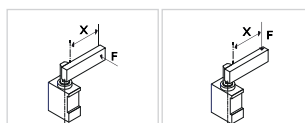
 Min./Max. operating pressure: **0,4 / 0,6 MPa**  
 Operating temperature: **5° ± 45° C**  
 Strokes in mm.: **15 - 25 - 40 - 50 - 60**  
 Electronic sensor with M12 swivel connector, from 0° to 90°  
 Supply voltage: **10 ÷ 30 Vdc**  
 IP code: **IP 65**

\*: TOLERANCE BETWEEN DOWELS ± 0,02, BETWEEN SCREW HOLES ± 0,1

Subject to technical modifications without notice

Rev. 00 19.11.20


**ULR63\_\_LXK0**
**4 STROKE**
**4**

 015 = 15 mm  
 025 = 25 mm  
 040 = 40 mm  
 050 = 50 mm  
 060 = 60 mm


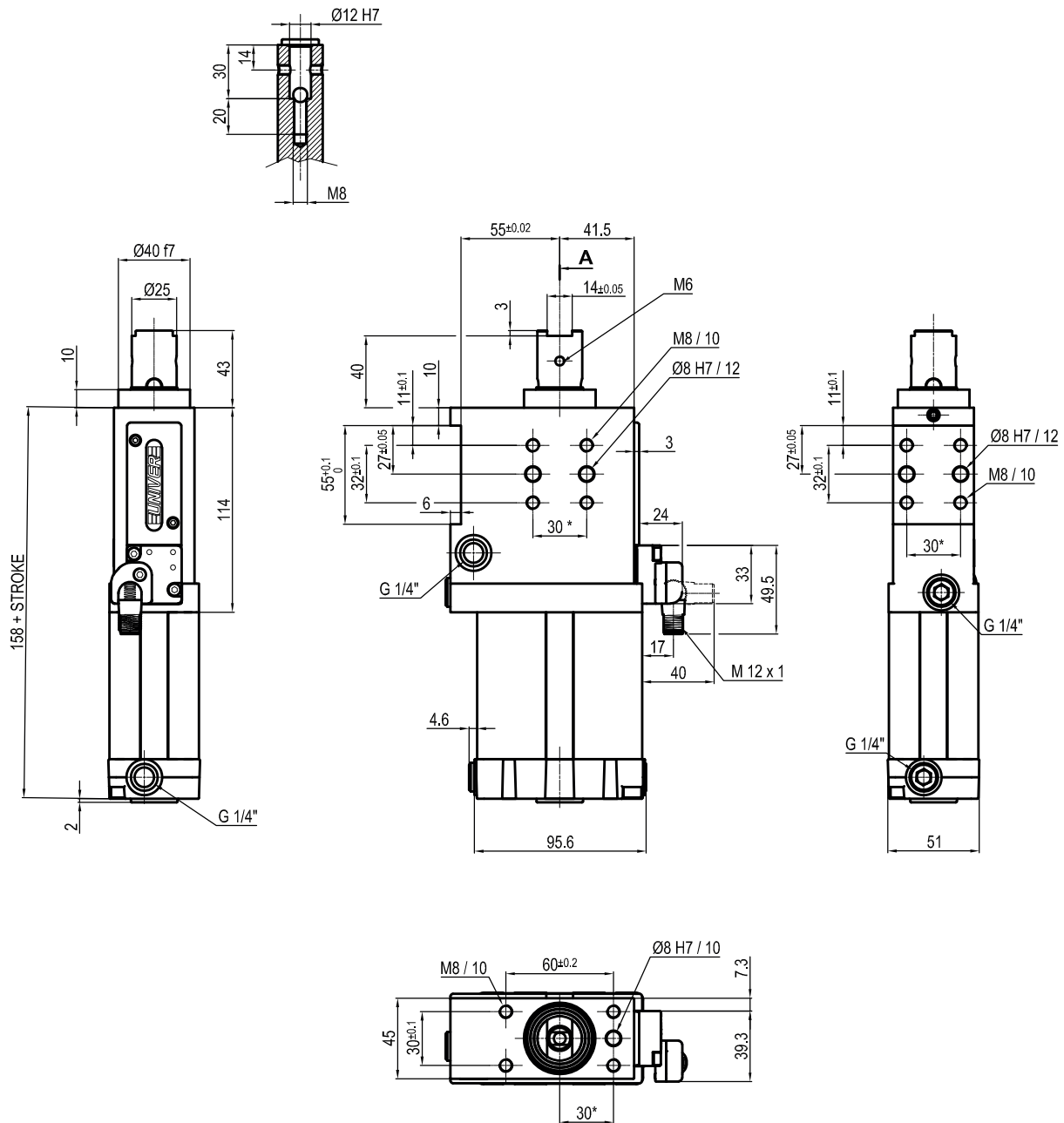
Bore Ø	Max. pull force 0,5 MPa	Max. push force 0,5 MPa	Max. torque 6 Nm X=100 mm	Max. deflection moment 7,5 Nm X=100 mm	Weight
63 mm	1430 N	1530 N	± 0.06 mm	± 0.03 mm	3,7 Kg

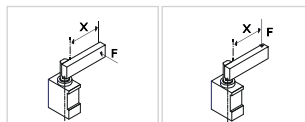
 Min./Max. operating pressure: **0,4 / 0,6 MPa**  
 Operating temperature: **5° ± 45° C**  
 Strokes in mm.: **15 - 25 - 40 - 50 - 60**  
 Electronic sensor with M12 swivel connector, from 0° to 90°  
 Supply voltage: **10 ÷ 30 Vdc**  
 IP code: **IP 65**

\*: TOLERANCE BETWEEN DOWELS ± 0,02, BETWEEN SCREW HOLES ± 0,1

Subject to technical modifications without notice

Rev. 00 19.11.20


**ULR63\_ \_ \_MXK0**
**4 STROKE**
**4**

 015 = 15 mm  
 025 = 25 mm  
 040 = 40 mm  
 050 = 50 mm  
 060 = 60 mm


Bore Ø	Max. pull force 0,5 MPa	Max. push force 0,5 MPa	Max. Moment 6 Nm X=100 mm	Max. deflection moment 7,5 Nm X=100 mm	Weight
63 mm	1430 N	1530 N	± 0.06 mm	± 0.03 mm	3,65 Kg

 Min./Max. operating pressure: **0,4 / 0,6 MPa**  
 Operating temperature: **5° ± 45° C**  
 Strokes in mm.: **15 - 25 - 40 - 50 - 60**  
 Electronic sensor with M12 swivel connector, from 0° to 90°  
 Supply voltage: **10 ÷ 30 Vdc**  
 IP code: **IP 65**

\*: TOLERANCE BETWEEN DOWELS ± 0,02, BETWEEN SCREW HOLES ± 0,1

Subject to technical modifications without notice

Rev. 00 19.11.20