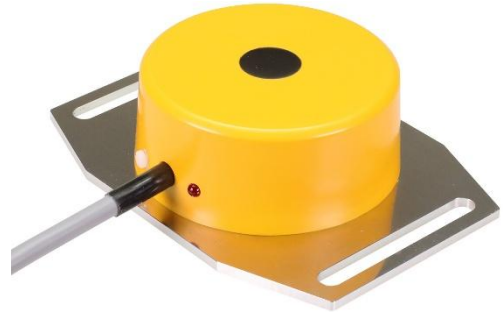


- Housing 150 x 108 x 44 mm
- Rated operating distance (S_n) 70 mm
- Mounting plate aluminum with long slots
- AC/DC 2 wire normally closed



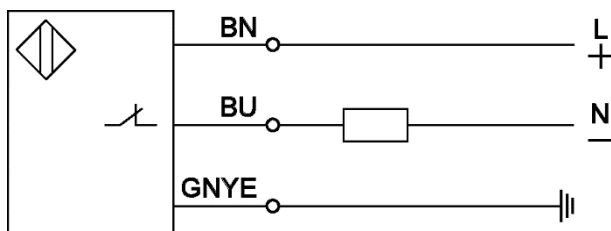
Product Characteristics

Type	IKMN 070.04 G
Connection	Art.-No.
2 m PVC cable	2025L
5 m PVC cable	2025L-5
10 m PVC cable	2025L-10
15 m PVC cable	2025L-15
20 m PVC cable	2025L-20
Application	Non-contact detection of metallic objects

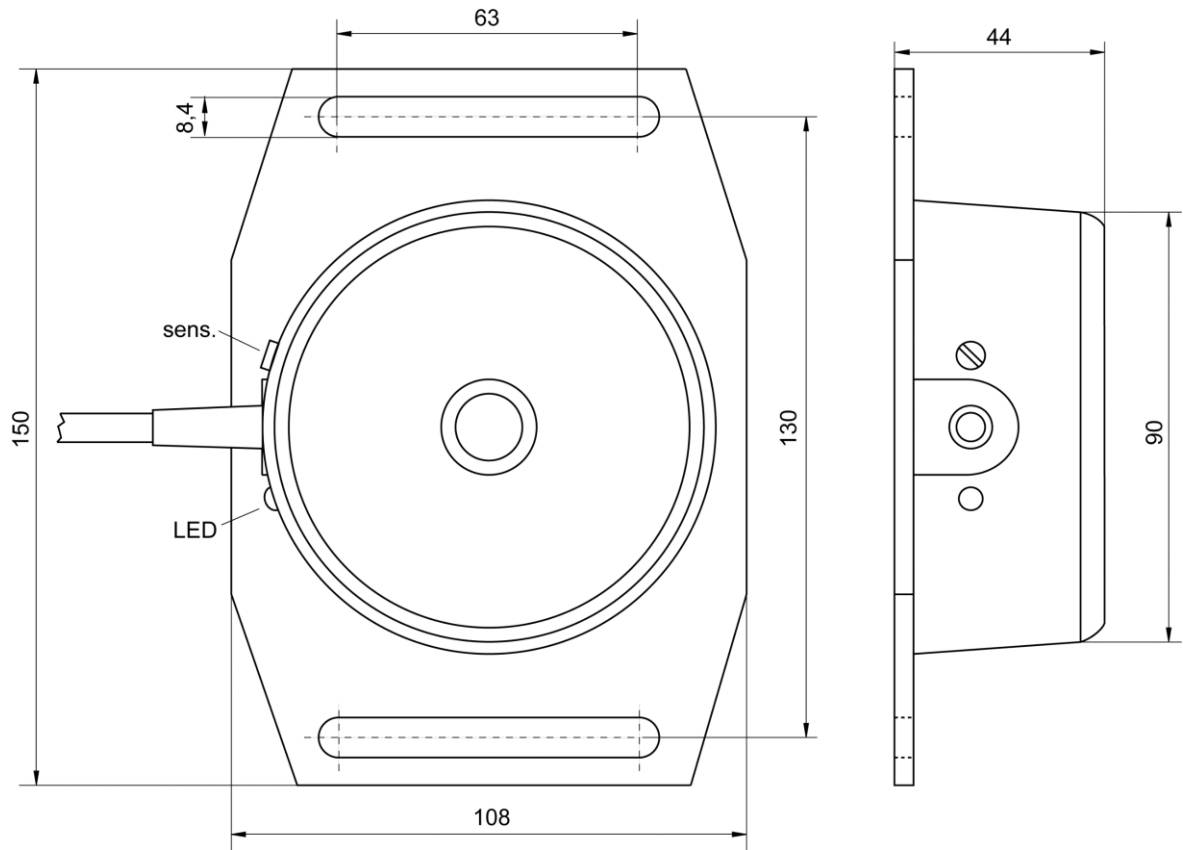
Technical Data

Rated operating distance (S_n)	70 mm
Target steel St37, 1 mm thick	210 x 210 mm
Operating distance adjustable	yes
Switching hysteresis (H)	1 - 15 %
Location at metal	non flush
Supply voltage (U_B)	20 - 260 V AC/DC
Power frequency	40 – 440 Hz
Ripple voltage	max. 15 % (DC)
Output	normally closed
Continuous current	5 - 400 mA
Short-circuit protection	yes, pulsing
Residual current (I_r)	1,7 mA / 260 V AC 1,0 mA / 24 V DC
Voltage drop (U_d)	< 9 V
Operating frequency (f)	25 Hz (AC) / 90 Hz (DC)
Ambient temperature	-25 ... +70 °C
Protection class	IP 67
Housing material	plastic / mounting plate aluminum
Functional display	LED

Connection



Dimension (mm)



Accessories (in scope of supply)

	Type	Art.-No.
-	-	-

Accessories (not in scope of supply)

	Type	Art.-No.
-	-	-

Further information

	Document
Operating manual	BDA_IK_D_E