

## BOARD FOR SPLITTING/ADAPTING SIGNALS

The SA board can be used in order to split the signals of one encoder on two different apparatus.

Other uses are:

- the signals repetition in case of connections longer than encoder' specifications,
- the possibility to adapt different electronics.

This board allows several uses thanks to the available electronics and power supplies, that easily fit with almost all the industrial needs. Please take a look to the ordering code in order to find all the available combinations.

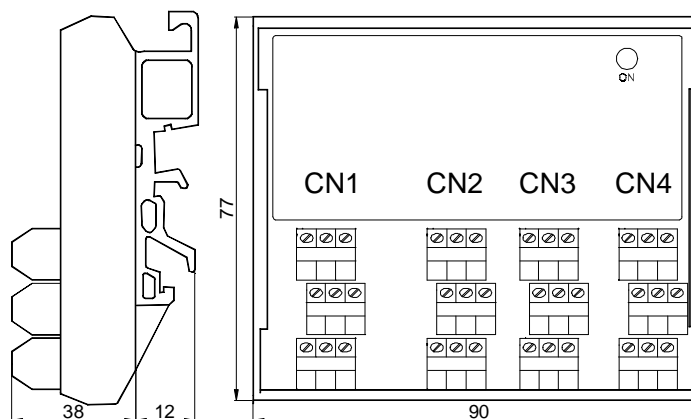
The housing of the board is available in two different versions:

- open version for direct mounting on DIN rails,
- closed version with sealed housing for mounting on machines.

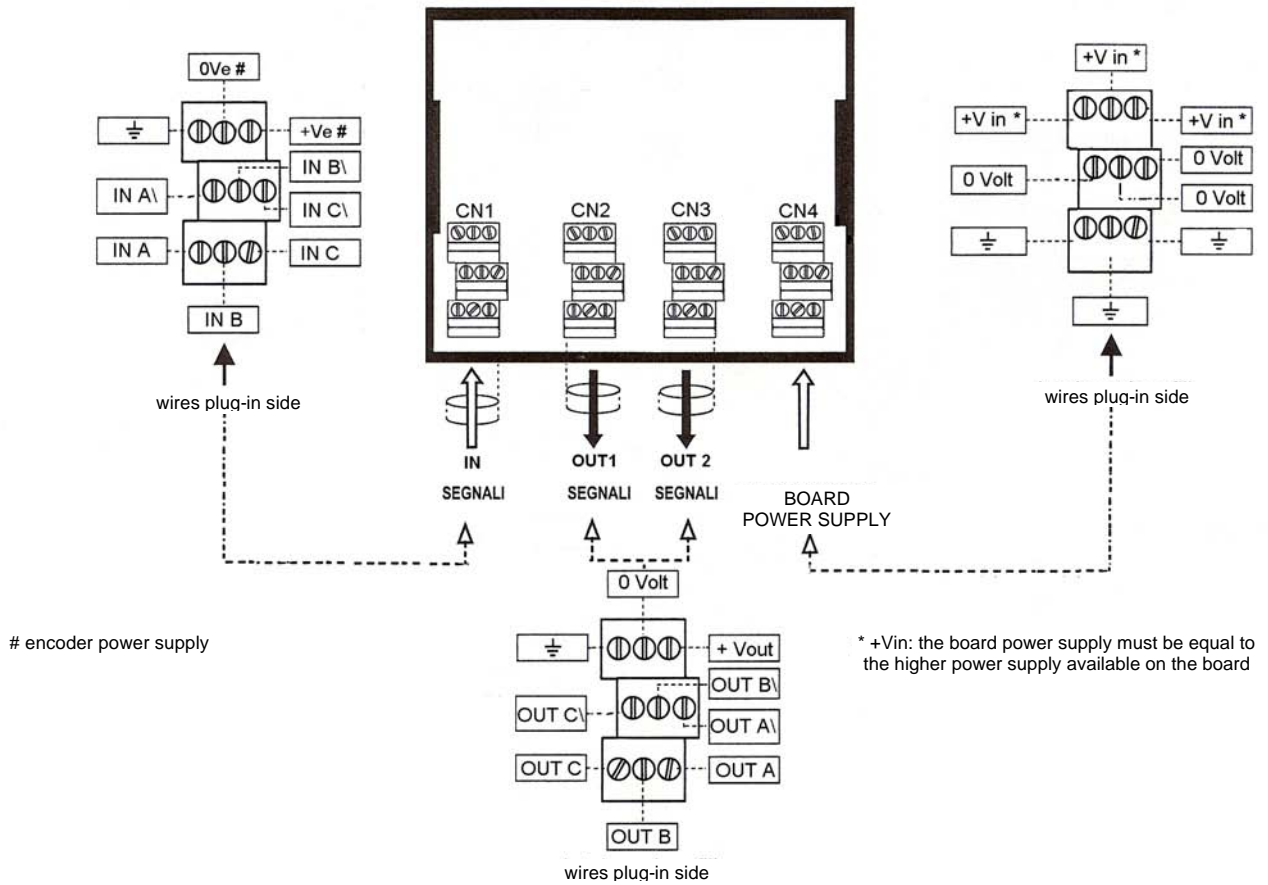
### Technical specifications

Input type	NPN, PNP, Push-pull, Line-driver, HTL
Output type	NPN, PNP, Push-pull, Line-driver, HTL
Power supply	5...30 VDC from external power supply
Input current	max. 10 mA
Current without load	max. 70 mA
Frequency	max. 300 kHz
Protection	IP00 (IP66 closed version).
Working temperature	from 0° to 70°C

### Dimensions



## Electrical connections



## Ordering code

OPTIONS	MODEL	IN. POWER SUPPLY	IN. ELECTRONIC	POWER SUPPLY 1	ELECTRONIC 1	POWER SUPPLY 2	ELECTRONIC 2
<b>X</b>	<b>SA1</b>	<b>5</b>	<b>N</b>	<b>5</b>	<b>N</b>	<b>824</b>	<b>B</b>
Z IP66 HOUSING X CUSTOM OPTIONS		5 5V ± 5% 824 8 ÷ 24V 1828 18 ÷ 28V 815 8 ÷ 15V	- STANDARD N DRIVER 26LS31 C DRIVER 88C30 B PUSH-PULL Z HTL (Double push-pull)	5 5V ± 5% 1030 10 ÷ 30V	- STANDARD N DRIVER 26LS31 B PUSH-PULL Z HTL (Double push-pull)	5 5V ± 5% 1030 10 ÷ 30V	- STANDARD N DRIVER 26LS31 B PUSH-PULL Z HTL (Double push-pull)