

ELECTRONIC  
HANDWHEEL  
FOR PANEL

**WE110**

ELECTRONIC HANDWHEEL FIT TO BE USED ON CNC.

IT HAS THE WORTH OF NO PROJECTION ON THE BACK SIDE OF THE KNOB.

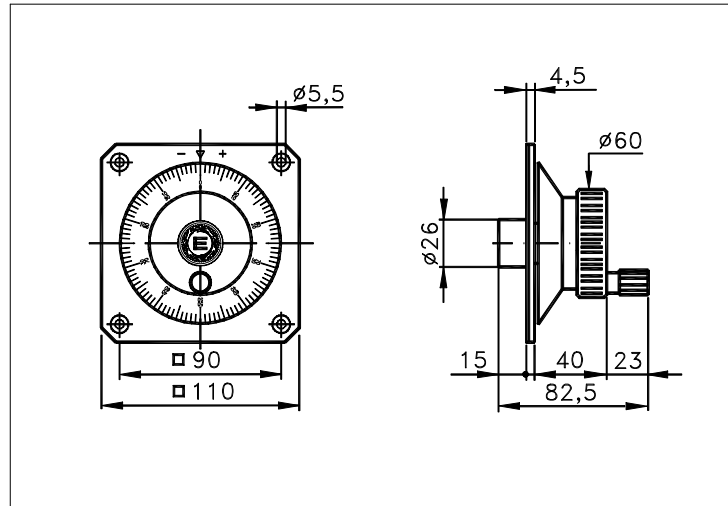
IT IS POSSIBLE TO HAVE A CUSTOM CENTRAL LOGO.

Elect.handwheel for panel  
01.WE110 1/2

data sheet. IV006 E00

Sized draw standard version:

Measures without tolerance according to UNI ISO 2768-mk



### TECHNICAL FEATURES AND POSSIBLE CONFIGURATIONS

- Housing.....: ANODIZED ALUMINIUM
- Knob/scale plate...: ANODIZED ALUMINIUM
- Weight.....: 650 g
- Cover.....: ANODIZED ALUMINIUM
- Shaft.....: STAINLESS STEEL
- IP output side.(°):: see 'CONNECTIONS' of page 2
- IP shaft side..(°):: 64
- Impact resistance...: 50 G x 11ms
- Vibration strenght..: 12 G (10 ÷ 2000 Hz)
- Starting torque Nm.: 0,12

(°) IP according to CEI EN 60529, EN 60529, IEC 529

- Rotat. life @ 200 RPM: >= 1000000 h
- Operating temperature: 0 ÷ 70 °C
- Storage temperature...: -30 ÷ 85 °C
- Pulses per revolution: 100 (std) (\*)
- Max consumption mA...: std 80 line driver 150
- Light source.....: LED with >= 100000 h life

(\*) with detent at each step

### ELECTRONICS

CODE	DESCRIPTION	mA	CODE	DESCRIPTION	mA	CODE	DESCRIPTION	mA	CODE	DESCRIPTION	mA
	STANDARD NPN	10	N	DRIVER 26LS31	30						
K	NPN OPEN COLL	10									
Q	NPN	70	C	DRIVER 88C30	20						
R	NPN OPEN COLL	70									
P	PNP	70									
U	PNP OPEN COLL	70									
B	PUSH-PULL PRO	70									
H	PUSH-PULL	70									

Tolerance between phases ± 25°, symmetry ± 15°

(§) Clock-wise output rotation (see shaft).

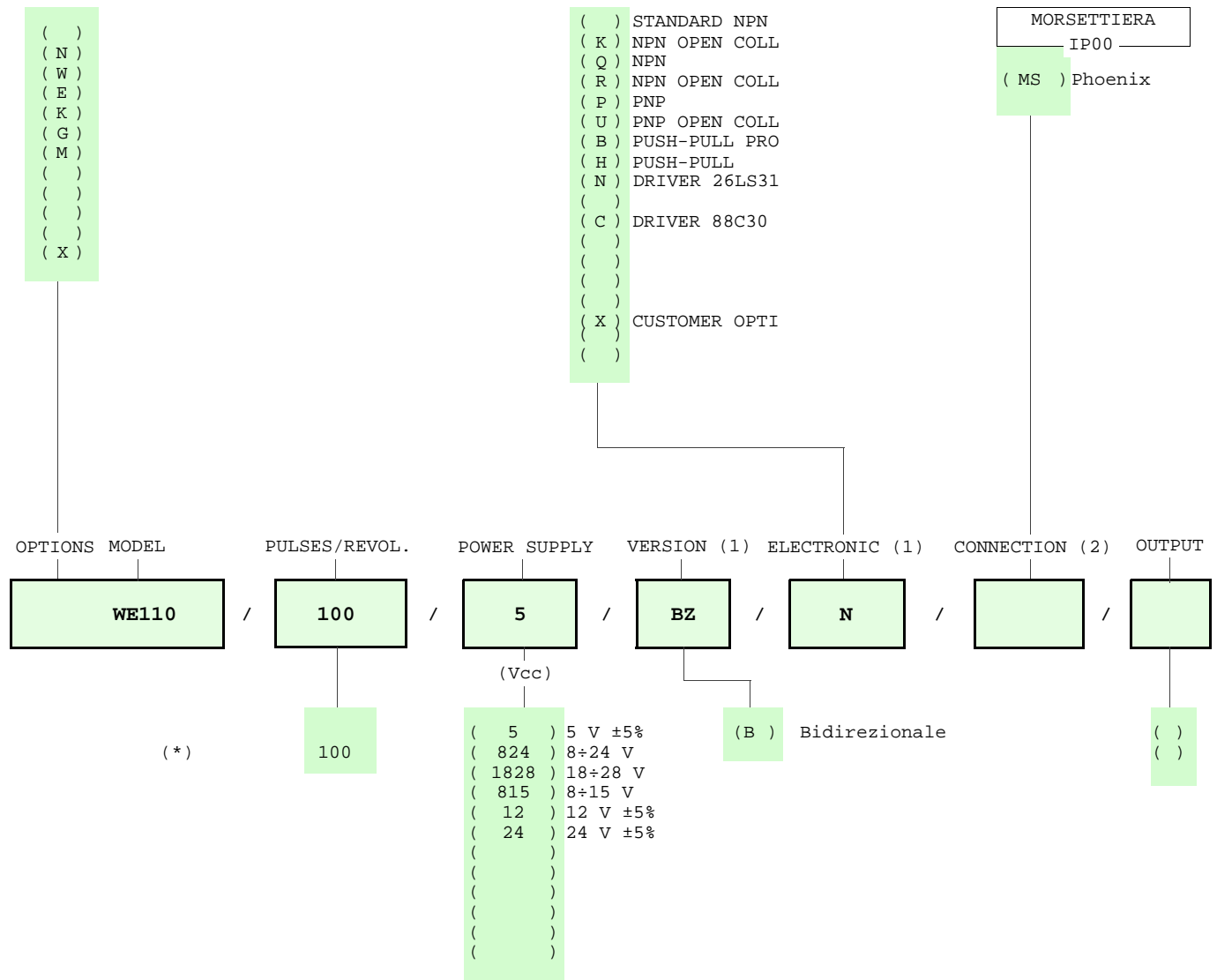


ELCIS s.r.l. Via Rosa Luxembourg 12/14 10093 COLLEGNO (TO) ITALY  
Phone: +39 011 715577/78 a.r.  
MAIL: ELCIS s.r.l. P.O.Box 90 10093 COLLEGNO (TO) ITALY

\* <http://www.elcis.com>  
\* e-mail: [info@elcis.com](mailto:info@elcis.com)  
\* Fax: +39 011 712613

POSSIBLE OPTIONS				POSSIBLE CONNECTIONS	
CODE	DESCRIPTION	CODE	DESCRIPTION		
N	Black knob			CABLE	OUTPUT:
W	Black flange				
E	Custom central logo			CONNECTOR	OUTPUT:
K	Invert. phase A,B,Zero				
G	Tropicalization			CABLE END CONNECTOR	OUTPUT:
M	Impregnated electronic				
X	Custom options			TERMINAL BOX	OUTPUT: AX
				MS	

### ORDERING INFORMATION



NOTE: FOR 88C30 MAX 15 Vdc

(\*) With detent at each step  
 (1) For further informations see ELECTRONIC data sheet  
 (2) For further informations see CONNECTION data sheet

Product manufactured according to UNI EN ISO 9001:2000, supplied with CHECKING and CONFORMITY declaration with CE mark and with TWO (2) YEARS WARRANTY starting from delivery date.

	ELCIS s.r.l. Via Rosa Luxembourg 12/14 10093 COLLEGNO (TO) ITALY Phone: +39 011 715577/78 a.r. MAIL: ELCIS s.r.l. P.O.Box 90 10093 COLLEGNO (TO) ITALY	* <a href="http://www.elcis.com">http://www.elcis.com</a> * e-mail: <a href="mailto:info@elcis.com">info@elcis.com</a> * Fax: +39 011 712613
	COPYRIGHT by ELCIS - Collegno (TO)	