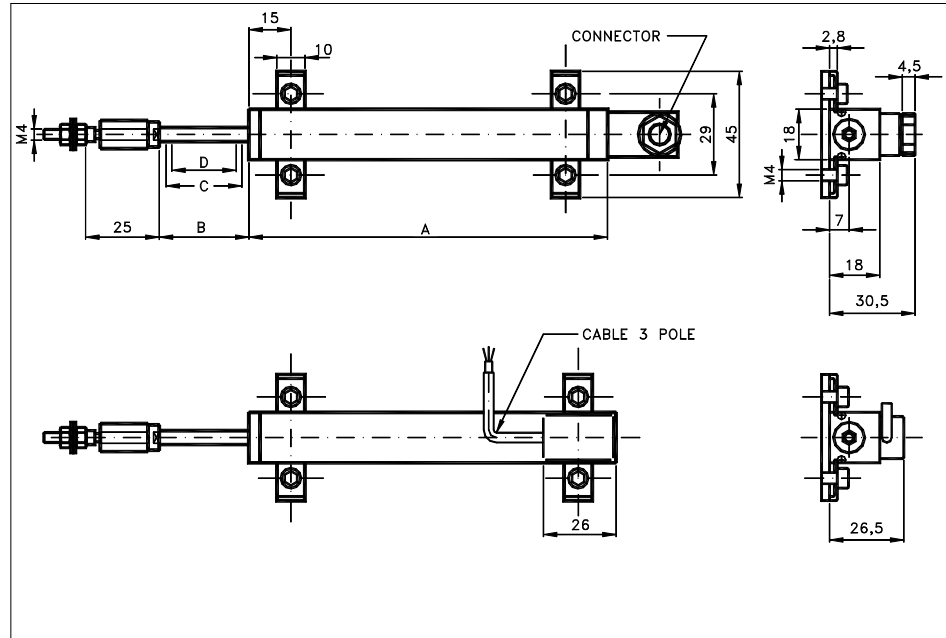


Measures without tolerance according to UNI ISO 2768-mk



TECHNICAL FEATURES AND POSSIBLE CONFIGURATIONS

- Weight.....:please refer to the table on page 2
- Standard stroke.....:please refer to the table on page 2
- Anodised aluminium housing with nylon 66 with fiber glass closing flanges.
- Low Noise Output from resistive element in conductive plastic.
- Fixing with movable metallic feet.
- Sealing.....:standard IP40 ; sealed IP65 (°)
- Linearity.....:±0,05%±0,3% (please refer to the table on page 2)
- Repeatability.....: < ± 0,013mm
- Resolution.....: infinite
- Max operating speed.....: 5 m/s
- Starting force.....:standard <=1,2N; stagno <=5N
- Impact resistance.....:10 G (*)
- Vibration resistance.....:40 G (**)
- Operating temperature.....: -30 ÷ 100 °C
- Storage temperature.....: -50 ÷ 120 °C
- Power supply.....:60V max
- Max consumption.....:3W - 10W
- Insulation.....:residue current < 5 µA @ 500V per 1 minute
- Current (resistance).....: <= 10mA
- Current (cursor).....: <= 1mA (recommended <1µA)
- Output smoothness.....: < ± 0.1% against input voltage
- Operating life.....: > 100x10⁶ Cycles
- Electrical connections by cable (standard) or orientable connector C193.

(°) IP accord. to CEI EN 60529, EN 60529, IEC 529 Standards

(*) Impact resistance accord. to IEC 68-2-6:1982 Standard

(**) Vibration resistance accor. to IEC 68-2-29:1968 Standard



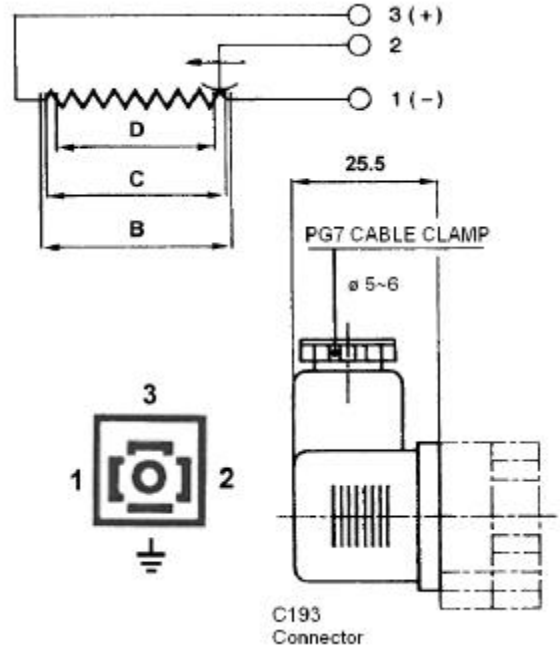
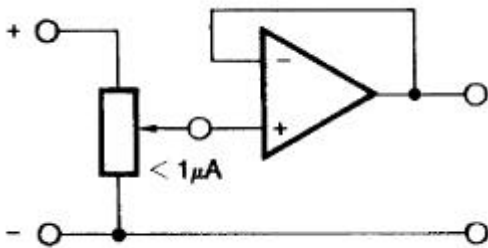
ELCIS s.r.l.
Via Rosa Luxembourg 12/14 10093 COLLEGNO (TO) ITALY
Phone: +39 011 715777/78 a.r.

* <http://www.elcis.com>
* e-mail: info@elcis.com
* Fax: +39 011 712613

USEFUL STROKES AND TOTAL LENGTHS*

Total travel (C) mm	10	25	50	75	100	125	150	175	200	225	250	275	300	350	375	400	425	450	-	-	-
Active travel (D) mm	11	26	51	76	101	126	151	177	202	227	252	277	302	353	378	403	428	453	-	-	-
Resistance ±20% kOhm	1,0	1,0	5,0	5,0	5,0	5,0	5,0	5,0	5,0	5,0	5,0	5,0	5,0	5,0	5,0	5,0	5,0	5,0	-	-	-
Linearity ±%	0,3	0,2	0,1	0,1	0,1	0,05	0,05	0,05	0,05	0,05	0,05	0,05	0,05	0,05	0,05	0,05	0,05	0,05	-	-	-
Mechanical tr.(B) mm	15	30	55	80	105	130	155	180	205	230	255	280	305	355	380	405	430	455	-	-	-
Total lenght (A) mm	60	75	100	125	150	175	200	225	250	275	300	325	350	400	425	450	475	500	-	-	-
Weight g	-	-	-	-	-	-	-	-	-	-	-	-	-	-	-	-	-	-	-	-	-

MEASUREMENT CIRCUIT AND ELECTRICAL CONNECTIONS



NOTE:
 The published technical data are applicable only when the transducer is used correctly and in accordance with the user manual/instructions.
 The linear position transducer must be used as voltage divider with a maximum current in the wiper contact of 1 μ A.
 Should the system downstream require more current, further circuitry will be required.

ORDERING INFORMATION

(10)(25)(50)(75)(100)(125)(150)
 (175)(200)(225)(250)(275)(300)(350)
 (375)(400)(425)(450)(-)(-)(-)

FAMILY

L

OPTION MODEL

RPA

STANDARD STROKE (mm)*

500

RESISTIVE VALUE (kOhm)

05

()
 ()
 (3) SEALED IP65
 (4) OUTPUT WITH C193 CONNECTOR

(01) 1 kOhm (ref. to table)
 (05) 5 kOhm (ref. to table)

Product manufactured according to UNI EN ISO 9001:2000, supplied with CHECKING and CONFORMITY declaration with CE mark and with TWO (2) YEARS WARRANTY starting from delivery date.

(*) Other lenghts upon request.

ELCIS company has the right to make any changings without previous notice.

data sheet IL009 EOA page:04.RPA

2/2



ELCIS s.r.l.
 Via Rosa Luxembourg 12/14 10093 COLLEGNO (TO) ITALY
 Phone: +39 011 715577/78 a.r.

* <http://www.elcis.com>
 * e-mail: info@elcis.com
 * Fax: +39 011 712613

COPYRIGHT by ELCIS - Collegno (TO)