



Miniature multiturn potentiometer with 0÷10 V analogic output.
 Fit for general industrial purposes.
 Very good quality/price ratio.

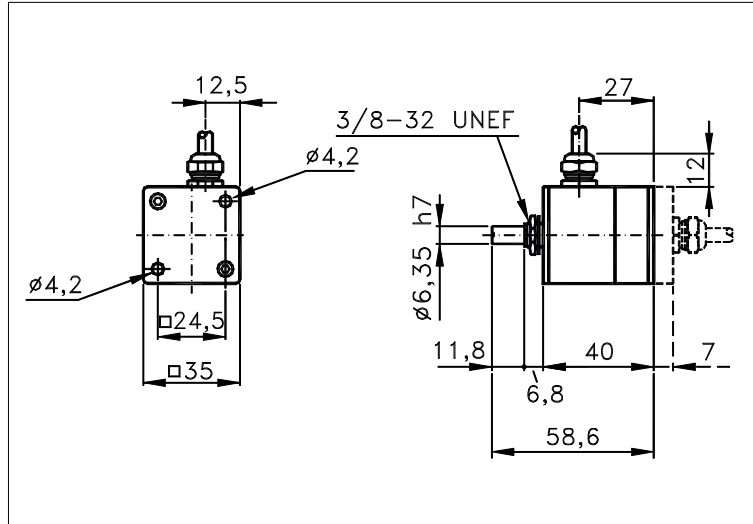
ANALOGIC
 POTENTIOMETER

PTV35

Family: **P** Data sheet IR 034 E00

Sized draw standard version:

Measures without tolerance according to UNI ISO 2768-mk



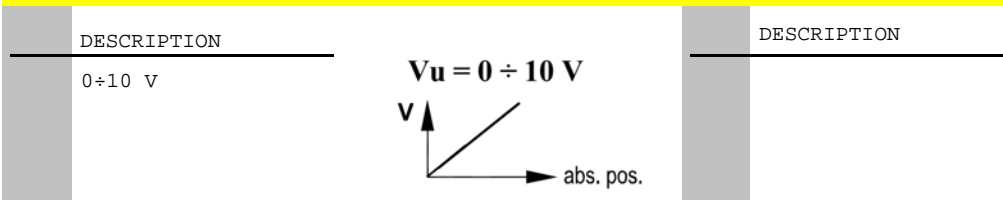
TECHNICAL FEATURES AND POSSIBLE CONFIGURATIONS

- No. of rev.....: 10 Turns
- Power supply Vcc.....: 24 V
- Max consumption.....: 50 mA
- Operating temperature.: -20÷+85 °C °C
- Storage temperature...: -20 ÷ +85 °C
- Output interface.....: 0÷10 V

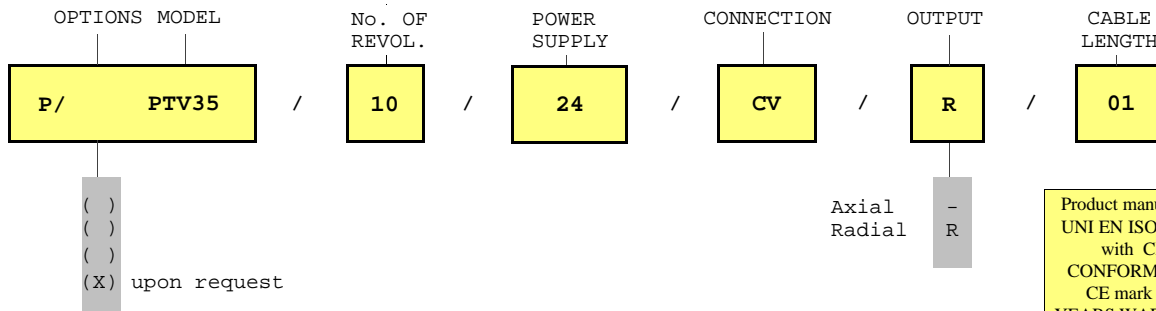
- Housing.....: Fiber glass/Valox
- Weight.....: 65 g
- IP output side (°).....: std. 65
- Internal Potentiometer: mod.8146 TT electronics
or similar
- Impact resistance.....: 100 G (6 ms)
- Vibration resistance...: 10 G (10 ÷ 1000 Hz)

(°) IP according to CEI EN 60529, EN 60529, IEC 529

INTERFACES



ORDERING INFORMATION



Product manufactured according to UNI EN ISO 9001:2008, supplied with CHECKING and CONFORMITY declaration with CE mark and with TWO (2) YEARS WARRANTY starting from delivery date.

COPYRIGHT by Elcis encoder - Collegno (TO)