



COMPACT CABLE TRANSDUCER FOR THE MEASURING OF LINEAR DISPLACEMENTS
 FROM 0 TO 2000 mm WITH GOOD SOLIDITY AND SIMPLICITY OF USE MATCHING
 A LOW COST. PATENTED MANUFACTURE.

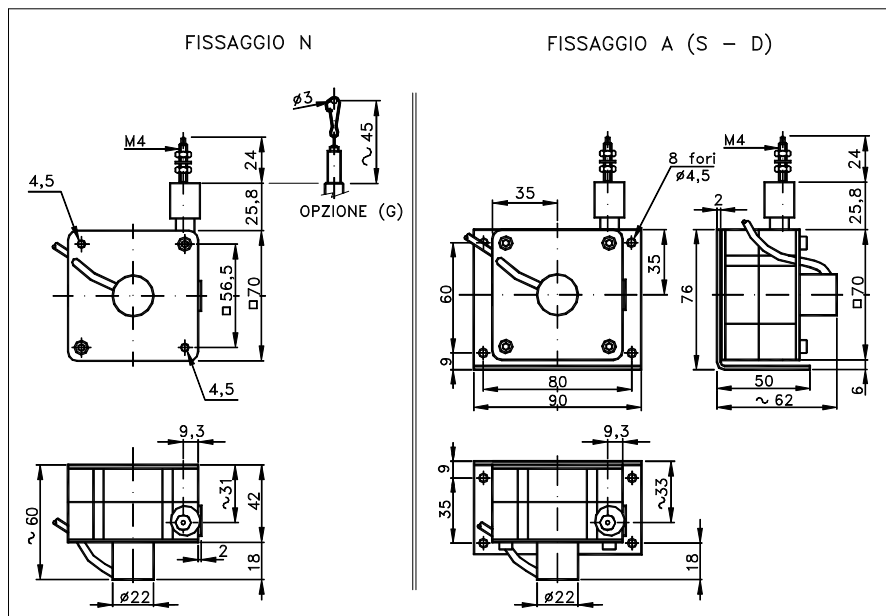
POTENTIOMETRIC
 CABLE ENCODER
 0 ÷ 2000 mm

F7A

Sized draw standard version: CV

CV

Family: L data sheet IF 025 E0B
 dimensions without tolerance according to UNI ISO 2768-mk

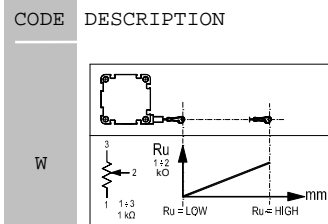
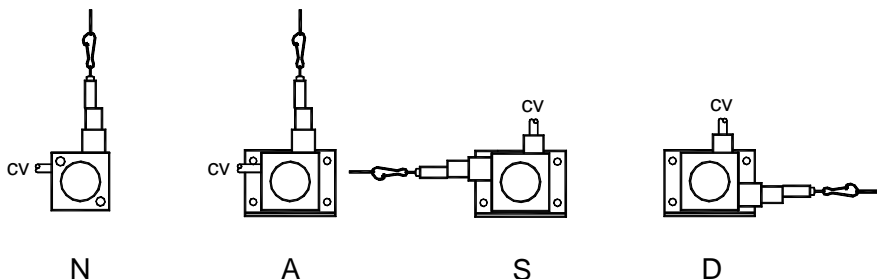


TECHNICAL FEATURES AND POSSIBLE CONFIGURATIONS

- Standard length.....: 0 ÷ 2000 mm
 - Weight.....: 480 g
 - Pullout cable force.: <4,5 N
 - Pullin cable force.: <3,5 N
 - Max reading speed...: 1 m/s
 - Max linearity error.: $\pm 0,25\%$ f.s. (*)
 - Repeatability.....: $\pm 0,15\%$ f.s. (*)
 - Resolution.....: infinite
 - Protection class.....: potent.: IP 50 mech.: IP54 (°)
 output: see 'CONNECTION' page 2
 - Impact resistance.....: 50 G x 11ms
 - Vibration resistance.: 12 G (10 ÷ 2000 Hz)
 - Operating temperature: -20÷+80 °C (*)
 - Storage temperature...: -30÷+80 °C
 - Housing.....: aluminium
 - Cable.....: $\varnothing 0,51$ mm stainless steel
 - Potent.temp.coeffic.: ± 100 ppm/°C
 - Voltage divider utilization range ~ 3% ÷ 97%
- (°) IP according to CEI EN 60529, EN 60529, IEC 529 (*) custom options

POSSIBLE FIXING

ELECTRONICS



Elcis encoder s.r.l. Via Rosa Luxembourg 12/14 10093 COLLEGNO (TO) ITALY
 Phone: +39 011 715577/78 r.a.
 MAIL: Elcis encoder s.r.l. P.O.Box 70 10093 COLLEGNO (TO) ITALY

* <http://www.elcis-encoder.com>
 * e-mail: info@elcis.com
 * Fax: +39 011 712613

