



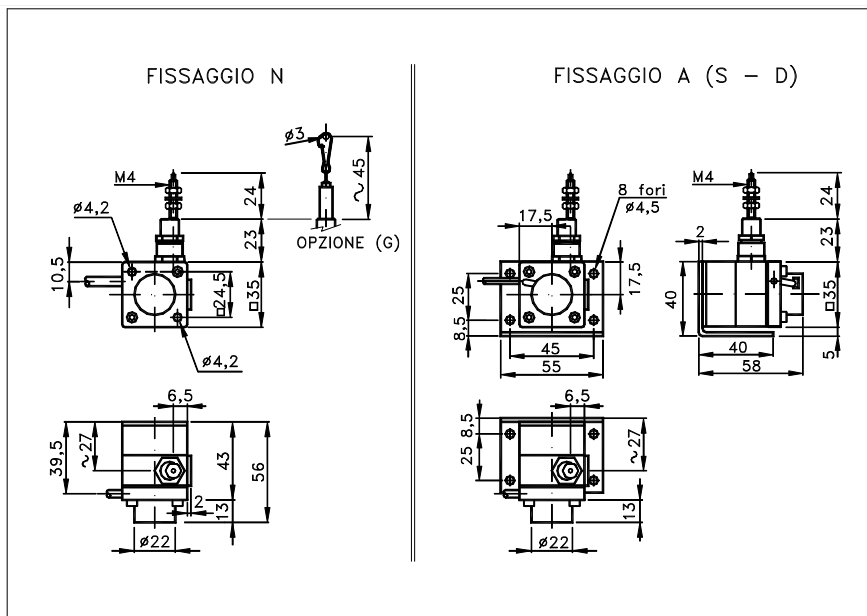
MINIATURIZED COMPACT CABLE TRANSDUCER FOR THE MEASUREMENT OF LINEAR  
DISPLACEMENTS FROM 0 TO 750 mm WITH GOOD SOLIDITY AND SIMPLICITY OF  
USE MATCHING A LOW COST. PATENTED MANUFACTURE.

POTENT./INCREMENTAL  
CABLE ENCODER  
0 ÷ 750 mm

**F3A**

Sized draw standard version: CV

Family: L data sheet IF 019 E0B  
Dimensions without tolerance according to UNI ISO 2768-mk

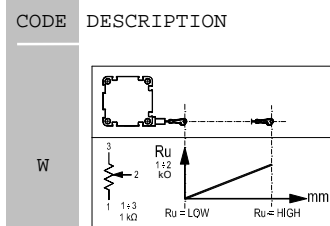
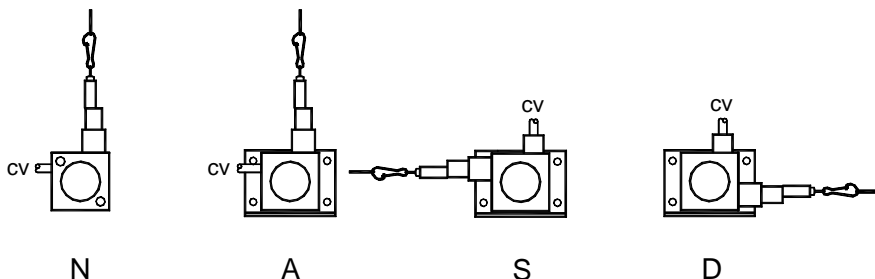


### TECHNICAL FEATURES AND POSSIBLE CONFIGURATIONS

- Standard length.....: 0 ÷ 750 mm
  - Weight.....: 125 g ; 200 g (incrementale)
  - Pullout cable force.: <4,5 N
  - Pullin cable force.: <3,5 N
  - Max reading speed...: 1 m/s
  - Max linearity error.: ±0,25% f.s. (\*)
  - Repeatability.....: ±0,15% f.s. (\*)
  - Resolution.....: infinita; 0,1 mm (incredm.)
  - Protection class.....: potent.: IP 50 mech.: IP50 (°)  
output: see 'CONNECTION' page 2
  - Impact resistance.....: 50 G x 11ms
  - Vibration resistance.: 12 G (10 ÷ 2000 Hz)
  - Operating temperature: -20÷+80 °C (\*)
  - Storage temperature...: -30÷+80 °C
  - Housing.....: composite material
  - Cable.....: Ø 0,51 mm stainless steel
  - Potent.temp.coeffic...: ±100 ppm/°C
  - Voltage divider utilization range ~ 3% ÷ 97%
- (°) IP according to CEI EN 60529, EN 60529, IEC 529 (\*) custom options

### POSSIBLE FIXING

### ELECTRONICS



Elcis encoder s.r.l. Via Rosa Luxembourg 12/14 10093 COLLEGNO (TO) ITALY  
Phone: +39 011 715577/78 r.a.  
MAIL: Elcis encoder s.r.l. P.O.Box 70 10093 COLLEGNO (TO) ITALY

\* <http://www.elcis-encoder.com>  
\* e-mail: [info@elcis.com](mailto:info@elcis.com)  
\* Fax: +39 011 712613

