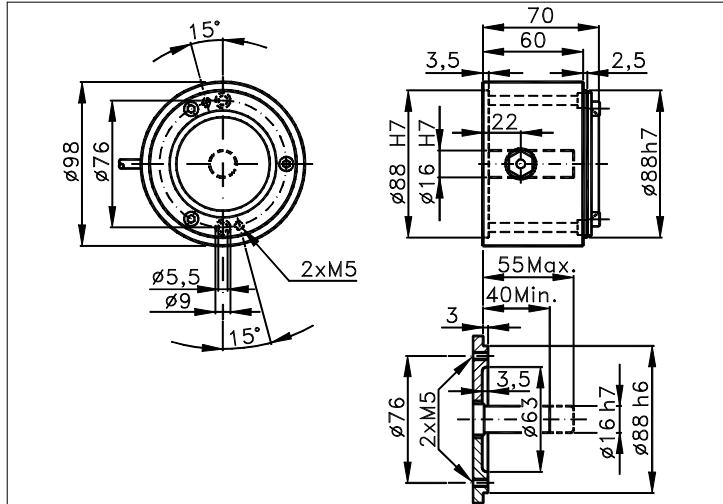


Sized draw standard version: CV R Measures without tolerance according to UNI ISO 2768-mk
Max joint compensation: axial ± 0,2mm, radial ± 0,1mm, angular ± 2°

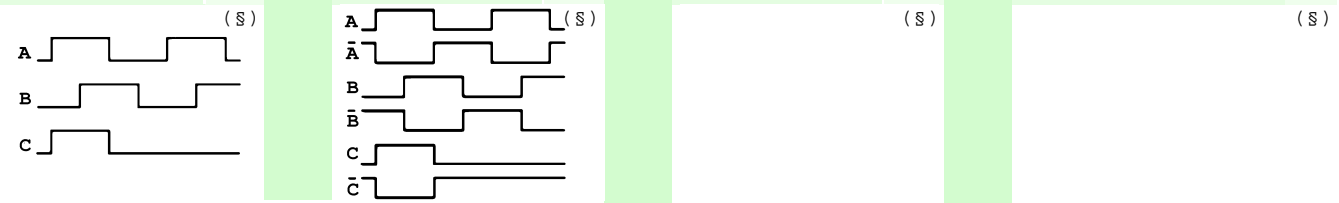


TECHNICAL FEATURES AND POSSIBLE CONFIGURATIONS

- | | |
|--|---|
| <ul style="list-style-type: none"> - Base.....: ANODIZED ALUMINIUM (*) - Cover.....: ANODIZED ALUMINIUM (*) - Weight.....: 600 g - Shaft.....: Ø 16 HOLLOW STAINL.ST. (*) - Max.rad/axial load.: 8 kg - IP output side.(°): see 'CONNECTION' of page 2 - IP shaft side.(°)> std. 64 sealed 66 low torq. 53 opt. type (page 2)> standard Z B - Contin. max RPM(**)> 6000 3000 8000 - Starting torque gcm> 85 110 50 <p>(°) IP according to CEI EN 60529, EN 60529, IEC 529
(*) custom options</p> | <ul style="list-style-type: none"> - Ball bearings life...: 1,5 x 10⁹ revolutions - Impact resistance....: 50 G x 11ms - Vibration resistance.: 12 G (10 ÷ 2000 Hz) - Power supply.....: 5÷30V (see page 2) - Operating temperature: 0 ÷ 70 °C (*) - Storage temperature...: -30 ÷ 85 °C - N° of pulses/rev.....: 1 ÷ 2540 - Max frequency.....: 100 kHz (300 option) - Max consumptions mA...: std 120 line driver 180 (*) - Light source.....: LED with >= 100000 h life <p>(**) intermittent max RPM + 30% of continuous max RPM</p> |
|--|---|

ELECTRONICS

CODE	DESCRIPTION	mA	CODE	DESCRIPTION	mA	CODE	DESCRIPTION	mA	CODE	DESCRIPTION	mA
	STANDARD NPN	10	N	DRIVER 26LS31	30						
K	NPN OPEN COLL	10	T	TTL 7404	10						
Q	NPN	70	C	DRIVER 88C30	20						
R	NPN OPEN COLL	70									
P	PNP	70									
U	PNP OPEN COLL	70									
B	PUSH-PULL PRO	70									
H	PUSH-PULL	70									



Tolerance between phases ± 25° , symmetry ± 15°
(§) Clock-wise output rotation (see shaft).



ELCIS s.r.l. Via Rosa Luxembourg 12/14 10093 COLLEGNO (TO) ITALY
Phone: +39 011 715577/78 a.r.
MAIL: ELCIS s.r.l. P.O.Box 90 10093 COLLEGNO (TO) ITALY

* <http://www.elcis.com>
* e-mail: info@elcis.com
* Fax: +39 011 712613

