

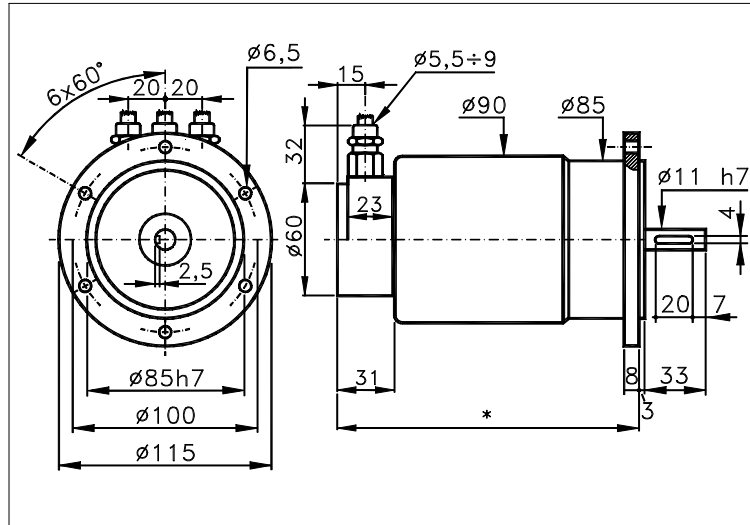
**ABSOLUTE
ENCODER
WITH FIELD BUS
9115D**

Extremely sturdy absolute encoder with B10 flange, fit to be used in severe industrial environments. DeviceNet interface. High resolution.

Absolute with field bus
page: 09.9115D 1/2
data sheet IB 048 E00

Measures without tolerance acc. to UNI ISO 2768-mk

DeviceNet



* 163 Singleturn, 173 Multiturn

TECHNICAL FEATURES AND POSSIBLE CONFIGURATIONS

- Outout codes.....: Binary
- Max resolut.....: 16 bit/1 rev.
: 30 bit/16384 rev.
- Pulses/rev.....: (12) 4096, (13) 8192,
(14) 16384, (15) 32768,
(16) 65536.
- No. of rev.....: 1, 4096, 16384.
:
- Power supply Vcc.....: 10÷30 VDC
- Max consumption.....: 2,5 Watt
- Light source.....: LED with >= 100000 h life
- Optical sensors.....: IR photodiodes array
- Step frequency LSB.....: 800 kHz
- Operating temperature..: -40 ÷ +85 °C
- Storage temperature...: -40 ÷ +85 °C
- Humidity.....: 98% (without liquid state)
- Bus connection.....: CAN transceiver (ISO11898)
- Status indic. with 2 LEDs
- Accuracy of divisions..: ±½ LSB(<13bit), ±2 LSB(13÷16bit)
- Output interface.....: (D2) DeviceNet

- Connections : For the codes and the descriptions of connectors see 'ORDERING CODE' on page 2.
- Housing.....: Aluminium (*)
- Weight.....: singlet.1800g, multit. 1900g
- Shaft.....: Stainless steel
- Max radial/axial load.: 180 N
- IP output side.....: see 'CONNECTIONS' on page 2
- IP shaft side.....: std. 65 | sealed 66
- Contin. max RPM...(**): 6000 | 3000
- Starting torque..gcm.: 370 | 470
- Impact resistance.....: 30 G (11 ms)
- Vibration resistance...: 10 G (10 ÷ 1000 Hz)
- Ball bearings life....: >10⁵ h @ 1000 rev./m
- SMD technology
- Polarity inversion protect.
- Over voltage peak protect.
- Disc made of unbreakable and durable plastic.
- EMC certific. according to EN 61000-6-2, EN 61000-6-4
- Programmable transmis. rate

(*) Custom options.

(**) Intermittent max RPM + 30% of continuous max RPM.

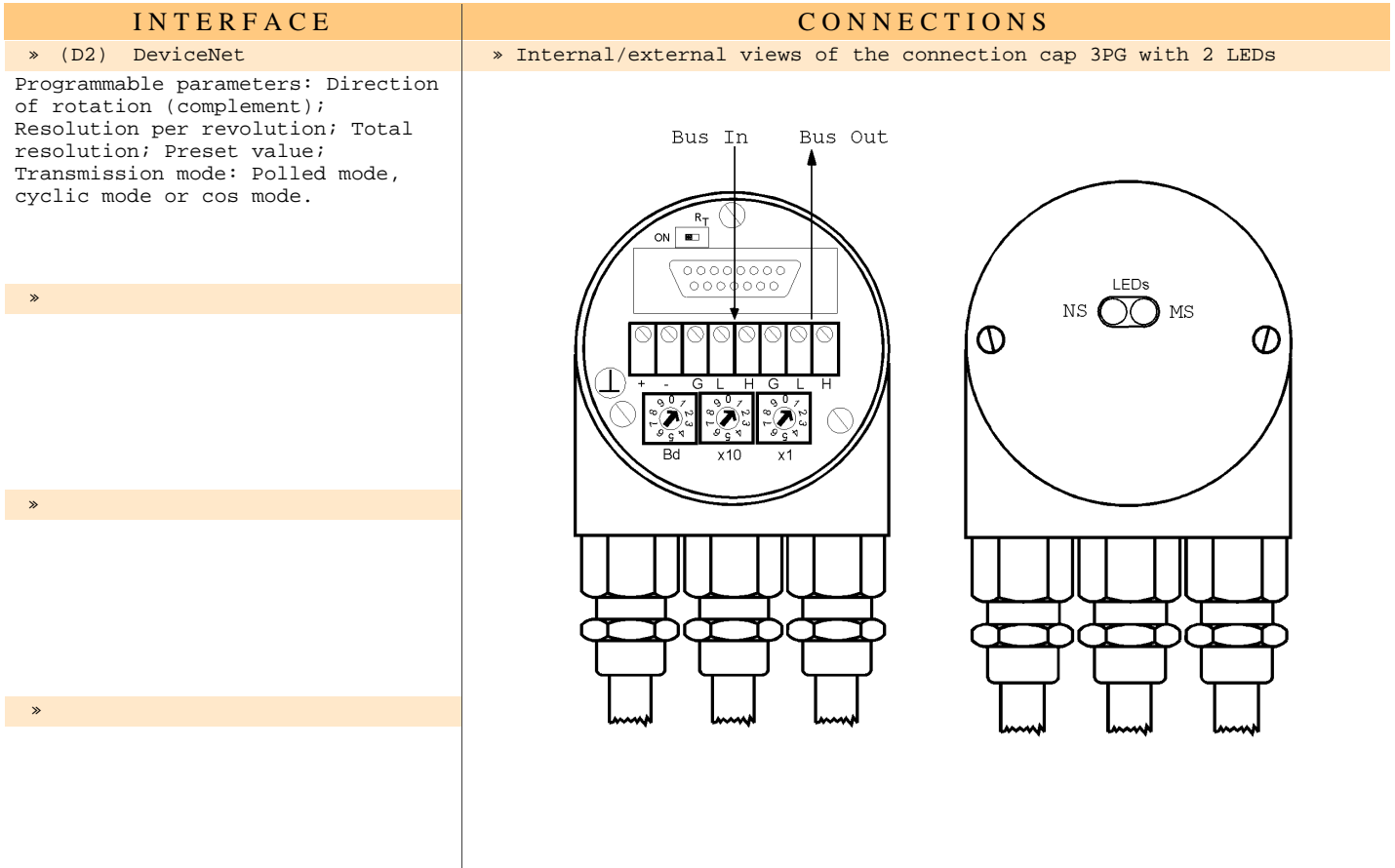
POSSIBLE OPTIONS

CODE	DESCRIPTION	CODE	DESCRIPTION	CODE	DESCRIPTION
		W	Sealed ball bear.	X	Customer options

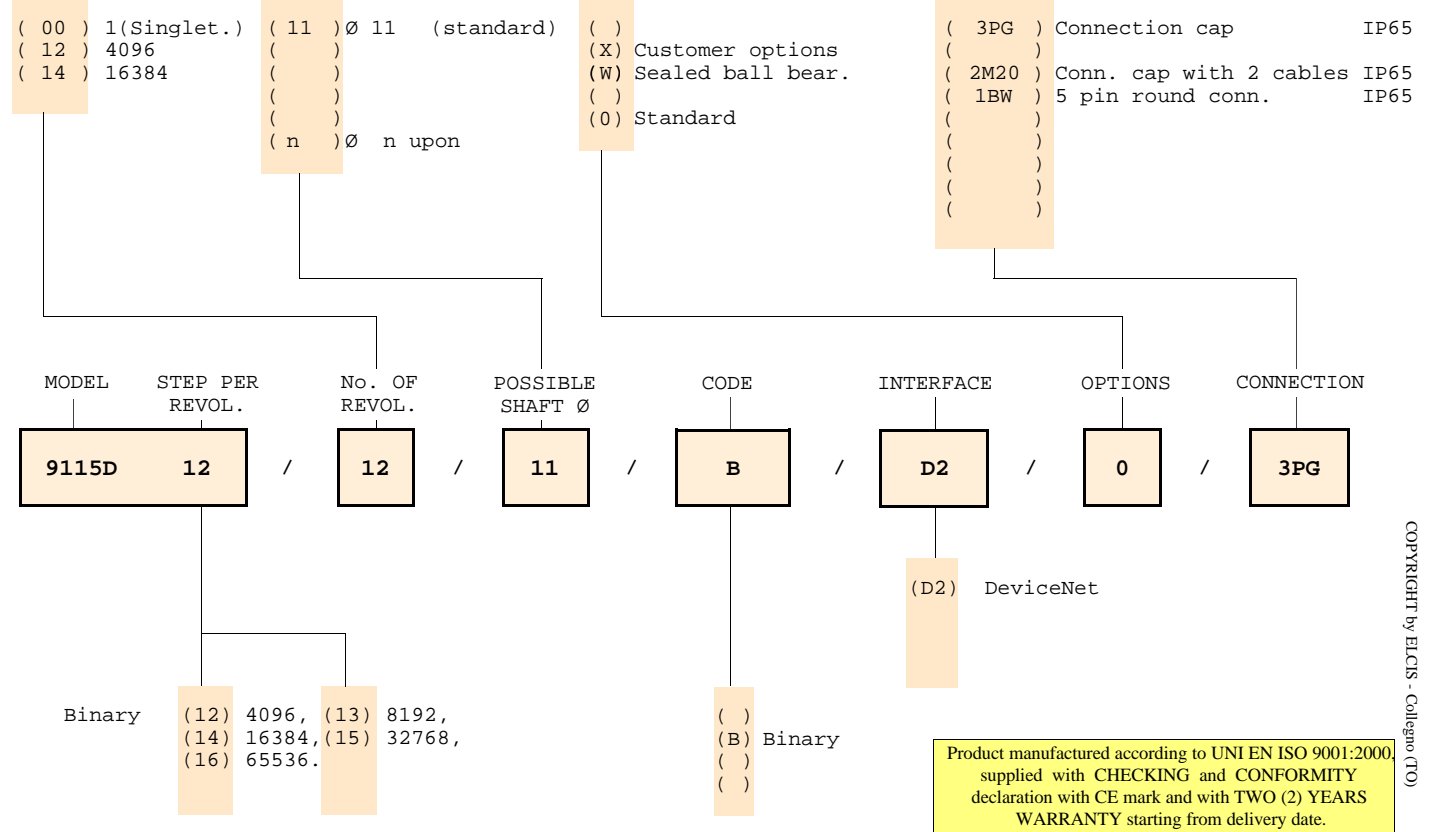


ELCIS s.r.l. Via Rosa Luxembourg 12/14 10093 COLLEGNO (TO) ITALY
Phone: +39 011 715577/78 r.a.
MAIL: ELCIS s.r.l. P.O.Box 90 10093 COLLEGNO (TO) ITALY

* <http://www.elcis.com>
* e-mail: info@elcis.com
* Fax: +39 011 712613



ORDERING INFORMATION



COPYRIGHT by ELCIS - Collegno (TO)

	ELCIS s.r.l. Via Rosa Luxembourg 12/14 10093 COLLEGNO (TO) ITALY Phone: +39 011 715577/78 r.a. MAIL: ELCIS s.r.l. P.O.Box 90 10093 COLLEGNO (TO) ITALY	* http://www.elcis.com * e-mail: info@elcis.com * Fax: +39 011 712613
--	--	--