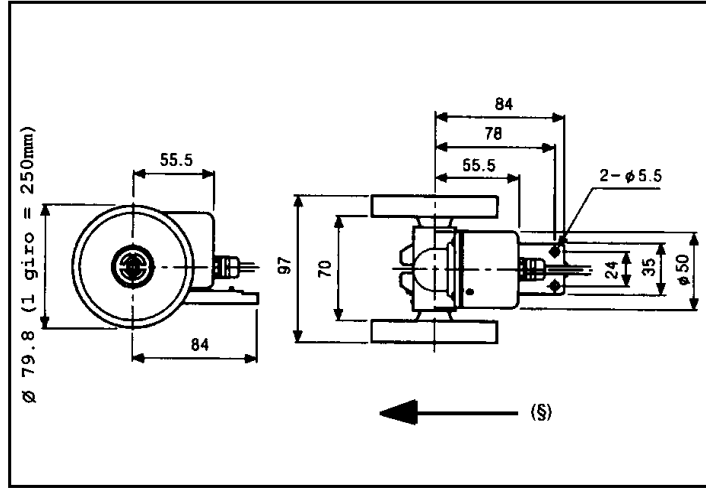


Sized draw standard version: CVK Measures without tolerance according to UNI ISO 2768-mk

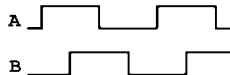


TECHNICAL FEATURES AND POSSIBLE CONFIGURATIONS

- | | |
|---|--|
| <ul style="list-style-type: none"> - Base.....: ALUMINIUM - Cover.....: STEEL - Weight.....: 500 g - Shaft.....: Ø 79,8 WHEELS - Max.rad/axial load.: 2 kg - IP output side.(°):: see 'CONNECTION' of page 2 - IP shaft side..(°).> std. 52 sealed - low torq. -
opt. type (page 2).> standard - Contin. max RPM(**)> 5000 - - - Starting torque gcm> 8 - - <p>(°) IP according to CEI EN 60529, EN 60529, IEC 529</p> | <ul style="list-style-type: none"> - Ball bearings life....: 1,5 x 10⁹ revolutions - Impact resistance....: 50 G x 11ms - Vibration resistance.: 12 G (10 ÷ 2000 Hz) - Power supply.....: 5÷24V (see page 2) - Operating temperature: -10÷70 °C - Storage temperature..: -30 ÷ 85 °C - N° of mm/pulses.....: (1) (10) (1000) - Max frequency.....: 180 kHz - Max consumptions mA...: std 60 line driver 50 - Light source.....: LED with >= 100000 h life <p>(**) intermittent max RPM + 30% of continuous max RPM</p> |
|---|--|

ELECTRONICS

CODE	DESCRIPTION	mA	CODE	DESCRIPTION	mA	CODE	DESCRIPTION	mA	CODE	DESCRIPTION	mA
	STANDARD NPN	10									
R	NPN OPEN COLL	30									
H	PUSH-PULL	30									



Tolerance between phases ± 45°, symmetry ± 20°

(S) Clock-wise output rotation (see shaft).



ELCIS s.r.l. Via Rosa Luxembourg 12/14 10093 COLLEGNO (TO) ITALY
Phone: +39 011 715577/78 a.r.
Mail: ELCIS s.r.l. P.O.Box 43 10093 COLLEGNO (TO) ITALY

* <http://www.elcis.com>
* e-mail: info@elcis.com
* Fax: +39 011 712613

