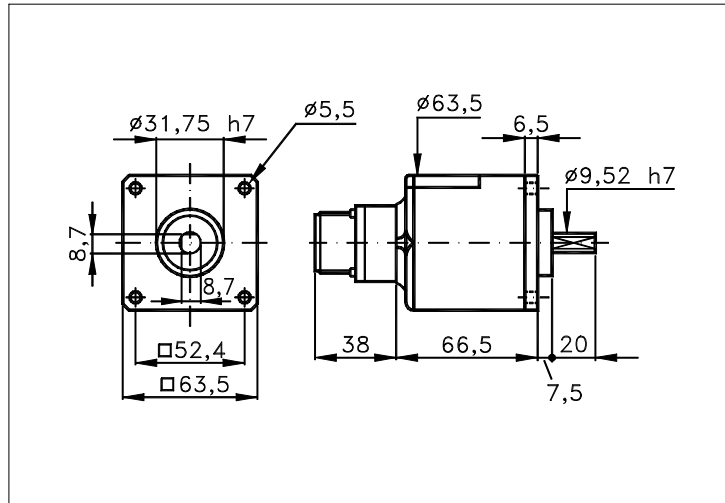


Sized draw standard version: CL Measures without tolerance according to UNI ISO 2768-mk

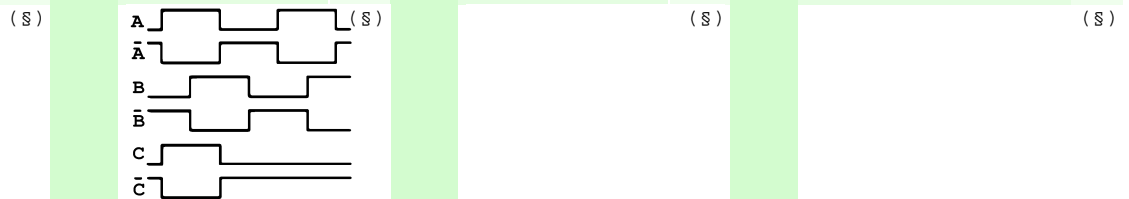


TECHNICAL FEATURES AND POSSIBLE CONFIGURATIONS

- |  |  |
|--|--|
| <ul style="list-style-type: none"> <li>- Base.....: ANODIZED ALUMINIUM (*)</li> <li>- Cover.....: VALOX 420 (*)</li> <li>- Weight.....: 600 g</li> <li>- Shaft.....: Ø 9,52 STAINLESS STEEL (*)</li> <li>- Max.rad/axial load.: 8 kg</li> <li>- IP output side.(°): see 'CONNECTION' of page 2</li> <li>- IP shaft side.(°).&gt; std. 65   sealed 66   low torq. -<br/>opt. type (page 2).&gt; standard   Z</li> <li>- Contin. max RPM(**)&gt; 6000   3000   -</li> <li>- Starting torque gcm&gt; 20   30   -</li> </ul> <p>(°) IP according to CEI EN 60529, EN 60529, IEC 529<br/>(*) custom options</p> | <ul style="list-style-type: none"> <li>- Ball bearings life...: 1,5 x 10<sup>9</sup> revolutions</li> <li>- Impact resistance....: 50 G x 11ms</li> <li>- Vibration resistance.: 12 G (10 ÷ 2000 Hz)</li> <li>- Power supply.....: 5÷30V (see page 2)</li> <li>- Operating temperature: 0 ÷ 70 °C (*)</li> <li>- Storage temperature...: -30 ÷ 85 °C</li> <li>- N° of pulses/rev.....: 100/127÷2000/2540</li> <li>- Max frequency.....: 100 kHz (160 option)</li> <li>- Max consumptions mA...: std 120 line driver 180 (*)</li> <li>- Light source.....: LED with &gt;= 100000 h life</li> </ul> <p>(**) intermittent max RPM + 30% of continuous max RPM</p> |
|--|--|

ELECTRONICS

CODE	DESCRIPTION	mA	CODE	DESCRIPTION	mA	CODE	DESCRIPTION	mA	CODE	DESCRIPTION	mA
			N	DRIVER 26LS31	30						



Tolerance between phases ± 25°, symmetry ± 15°

(§) C.-Clock-wise output rotation (see shaft).

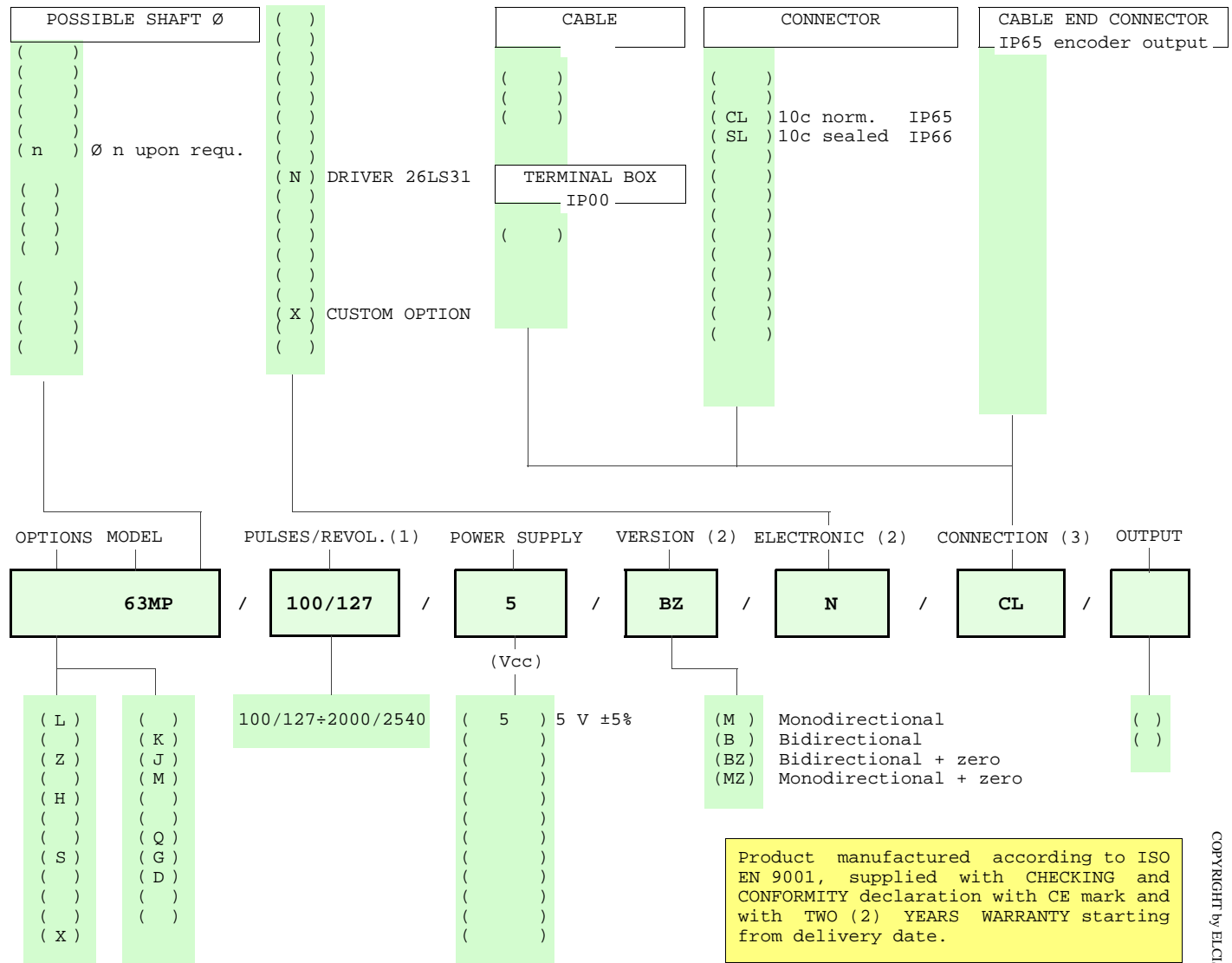


ELCIS s.r.l. Via Rosa Luxembourg 12/14 10093 COLLEGNO (TO) ITALY  
Phone: +39 011 715577/78 a.r.  
MAIL: ELCIS s.r.l. P.O.Box 90 10093 COLLEGNO (TO) ITALY

\* <http://www.elcis.com>  
\* e-mail: [info@elcis.com](mailto:info@elcis.com)  
\* Fax: +39 011 712613


POSSIBLE OPTIONS				POSSIBLE CONNECTIONS	
CODE	DESCRIPTION	CODE	DESCRIPTION		
L	Low temperature	K	Invert. phase A,B,Zero.	CABLE	OUTPUT:
Z	Sealed ball bearing	J	Zero logic combination		
H	Different shaft Ø	M	Impregnated electronic	CONNECTOR	OUTPUT:
				CL SL	AX RAD
S	160 KHz frequency	Q	Oil seal	CABLE END CONNECTOR	OUTPUT:
		G	Tropicalization		
		D	Double oring		
X	Custom options			TERMINAL BOX	OUTPUT:

**ORDERING INFORMATION**



Product manufactured according to ISO EN 9001, supplied with CHECKING and CONFORMITY declaration with CE mark and with TWO (2) YEARS WARRANTY starting from delivery date.

(1) For further information see PULSES/REVOL. data sheet  
 (2) For further information see ELECTRONIC data sheet  
 (3) For further information see CONNECTION data sheet

	ELCIS s.r.l. Via Rosa Luxembourg 12/14 10093 COLLEGNO (TO) ITALY Phone: +39 011 715577/78 a.r. MAIL: ELCIS s.r.l. P.O.Box 90 10093 COLLEGNO (TO) ITALY	* <a href="http://www.elcis.com">http://www.elcis.com</a> * e-mail: <a href="mailto:info@elcis.com">info@elcis.com</a> * Fax: +39 011 712613
--	--	--

COPYRIGHT by ELCIS - Collegno (TO)