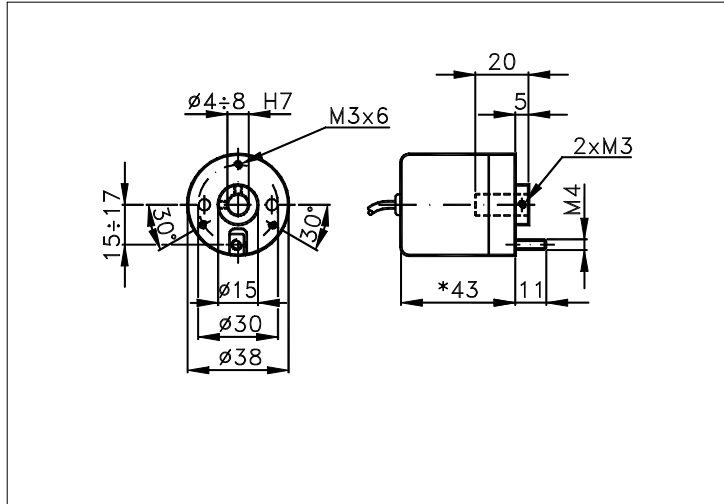


Sized draw standard version: CV Measures without tolerance according to UNI ISO 2768-mk
Max joint compensation: axial ± 0,2mm, radial ± 0,05mm, angular ± 1°



* 53 FOR ELECTR. THAT ARE NOT 'STANDARD', 'K'.

TECHNICAL FEATURES AND POSSIBLE CONFIGURATIONS

- | | |
|---|--|
| - Base.....: ANODIZED ALUMINIUM (*) | - Ball bearings life...: 1,5 x 10 ⁹ revolutions |
| - Cover.....: ANODIZED ALUMINIUM (*) | - Impact resistance....: 50 G x 11ms |
| - Weight.....: 180 g | - Vibration resistance..: 12 G (10 ÷ 2000 Hz) |
| - Shaft.....: Ø 4÷8 HOLLOW STAINLESS ST (*) | - Power supply.....: 5÷30V (see page 2) |
| - Max.rad/axial load.: 1 kg | - Operating temperature: 0 ÷ 70 °C (*) |
| - IP output side.(°): see 'CONNECTION' of page 2 | - Storage temperature...: -30 ÷ 85 °C |
| - IP shaft side.(°):> std. 65 sealed 66 low torq. - | - N° of pulses/rev.....: 1 ÷ 2540 |
| opt. type (page 2):> standard Z | - Max frequency.....: 60 kHz (100 option) |
| - Contin. max RPM(**):> 6000 3000 - | - Max consumptions mA...: std 120 line driver 180 (*) |
| - Starting torque gcm> 18 30 - | - Light source.....: LED with >= 100000 h life |

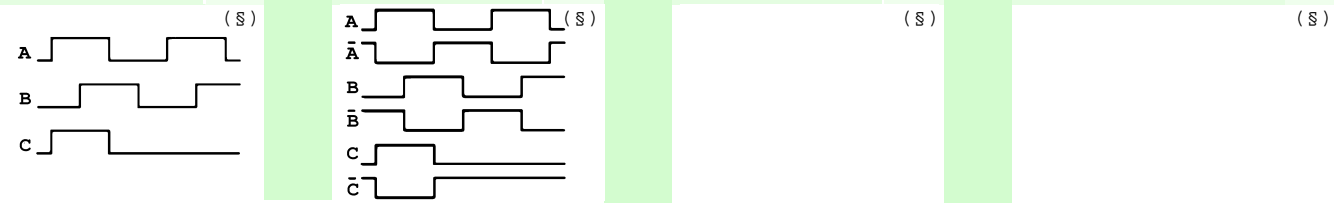
(°) IP according to CEI EN 60529, EN 60529, IEC 529

(*) custom options

(**) intermittent max RPM + 30% of continuous max RPM

ELECTRONICS

CODE	DESCRIPTION	mA	CODE	DESCRIPTION	mA	CODE	DESCRIPTION	mA	CODE	DESCRIPTION	mA
	STANDARD NPN	10	N	DRIVER 26LS31	30						
K	NPN OPEN COLL	10	T	TTL 7404	10						
Q	NPN	70	C	DRIVER 88C30	20						
R	NPN OPEN COLL	70									
P	PNP	70									
U	PNP OPEN COLL	70									
B	PUSH-PULL PRO	70									
H	PUSH-PULL	70									



Tolerance between phases ± 25°, symmetry ± 15°

(§) Clock-wise output rotation (see shaft).



ELCIS s.r.l. Via Rosa Luxembourg 12/14 10093 COLLEGNO (TO) ITALY
Phone: +39 011 715577/78 a.r.
MAIL: ELCIS s.r.l. P.O.Box 90 10093 COLLEGNO (TO) ITALY

* <http://www.elcis.com>
* e-mail: info@elcis.com
* Fax: +39 011 712613

POSSIBLE OPTIONS				POSSIBLE CONNECTIONS								
CODE	DESCRIPTION	CODE	DESCRIPTION	CABLE				OUTPUT:				
L	Low temperature	K	Invert. phase A,B,Zero.	CV				AX				
Y	Unbreakable disk	J	Zero logic combination					RAD				
Z	Sealed ball bearing	M	Impregnated electronic	CONNECTOR				OUTPUT:				
R	75 KHz frequency											
V	100 KHz frequency	G	Tropicalization	CABLE END CONNECTOR				OUTPUT:				
X	Custom options			VM	TM	VL	TL	VD	VH	VH5	VI	AX
				VE	VK	TK	VN	VH6	VM5	VM9	VS	RAD
				VD5								
				TERMINAL BOX				OUTPUT:				

ORDERING INFORMATION

POSSIBLE HOLLOW Ø	STANDARD NPN	CABLE	CONNECTOR	CABLE END CONNECTOR
(4) Ø 4	(K) NPN OPEN COLL	IP65		IP65 encoder output
(6) Ø 6	(Q) NPN	(CV) 1 m long	()	(VM) 7c normal
(8) Ø 8	(R) NPN OPEN COLL	()	()	(TM) 7c sealed
()	(P) PNP	()	()	(VL) 10c normal
()	(U) PNP OPEN COLL	()	()	(TL) 10c sealed
(n) Ø n upon requ.	(B) PUSH-PULL PRO	TERMINAL BOX	()	(VD) 9c
()	(H) PUSH-PULL	IP00	()	(VH) 12c anticlock.
()	(N) DRIVER 26LS31	()	()	(VH5) 12c clock-wise
()	(T) TTL 7404	()	()	(VI) 12c crimped
()	(C) DRIVER 88C30	()	()	(VE) 5c
()	()	()	()	(VK) 17c normal
()	()	()	()	(TK) 17c sealed
()	()	()	()	(VN) 12c
()	(X) CUSTOM OPTION	()	()	(VH6) 12c clock-wise
()	()	()	()	(VM5) 26c
()	()	()	()	(VM9) 16c
()	()	()	()	(VS) 12c
()	()	()	()	(VD5) 9c screened

OPTIONS	MODEL	PULSES/REVOL. (1)	POWER SUPPLY	VERSION (2)	ELECTRONIC (2)	CONNECTION (3)	OUTPUT
	38C	500	5	BZ	N	CV	
	(L)	1 ÷ 2540	(Vcc)	(M) Monodirectional			AX ()
	(Y)		(5) 5 V ±5%	(B) Bidirectional			RAD (R)
	(Z)		(824) 8÷24 V	(BZ) Bidirectional + zero			
	()		(1828) 18÷28 V	(MZ) Monodirectional + zero			
	()		(815) 8÷15 V				
	()		(12) 12 V ±5%				
	(R)		(24) 24 V ±5%				
	(V)		(1230) 12÷30/12 V				
	()		(8245) 8÷24/5 V				
	()		(1030) 10÷30 V				
	()		(18285) 18÷28/5 V				
	()		(1530) 15÷30/15 V				
	(X)		()				

Product manufactured according to ISO EN 9001, supplied with CHECKING and CONFORMITY declaration with CE mark and with TWO (2) YEARS WARRANTY starting from delivery date.

NOTE: FOR 88C30 MAX 15 Vdc

- (1) For further information see PULSES/REVOL. data sheet
- (2) For further information see ELECTRONIC data sheet
- (3) For further information see CONNECTION data sheet

	<p>ELCIS s.r.l. Via Rosa Luxembourg 12/14 10093 COLLEGNO (TO) ITALY Phone: +39 011 715577/78 a.r. MAIL: ELCIS s.r.l. P.O.Box 90 10093 COLLEGNO (TO) ITALY</p>	<p>* http://www.elcis.com * e-mail: info@elcis.com * Fax: +39 011 712613</p>
--	---	---

COPYRIGHT by ELCIS - Collegno (TO)