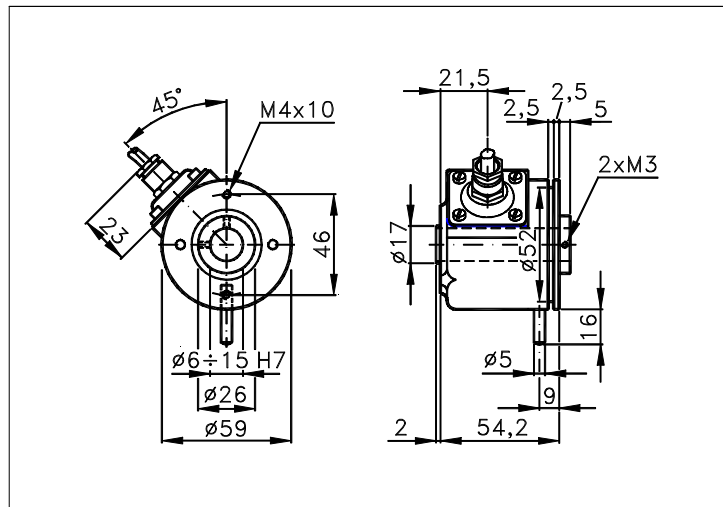


**SINGLE TURN
ABSOLUTE
ENCODER
359ZP**

Absolute single turn encoder, from 2 to 13 bits, with hollow shaft passing through and with a coupling pin.
Fixing on the motor shaft by means of grub-screws.

Absolute single turn
page: 01. 359ZP 1/2
data sheet IA014 E00

Measures without tolerance according to UNI ISO 2768-mk



TECHNICAL FEATURES AND POSSIBLE CONFIGURATIONS I

- Output codes.....: Gray
 - Max pulses/rev.....: 8192 (13 bits)
 - Power supply Vcc.....: 5±5%, 15±5%, 8÷24, 18÷28, 10÷30
 - Max consumption.....: 200÷400 mA accord. to bits (*)
 - Light source.....: LED with >= 100000 h life
 - Optical sensors.....: Phototransistors
 - Max frequency.....: 50 kHz (*)
 - Operating temperature.: 0 ÷ +70 °C (*)
 - Storage temperature...: -30 ÷ +85 °C (*)
 - Burn-in @ +75 °C.....: 72 h (*)
 - Up/down commutation...: OK
 - Mechanical zero search: No
 - Output stages.....: (-) NPN open coll.10mA(std)
 - Pre output interface...: (-) Parallel (standard)
 - Electronic options.....: (for parallel interf.)
 - Connections Radial (R): CV (*)
 - Base.....: Anodized aluminium (*)
 - Cover.....: Anodized aluminium (*)
 - Weight.....: 320 g
 - Shaft.....: Hollow stainless steel (*)
 - Max.rad/axial load....: 4 Kg
 - IP output side.....: see 'CONNECTIONS' on page 2
 - IP shaft side.....: std.64 | sealed 65 | low torq.53
 - Contin. max RPM...(**): 6000 | 3000 | 8000
 - Starting torque.. gcm.: 85 | 110 | 50
 - Impact resistance.....: 50 G (11 ms)
 - Vibration resistance...: 12 G (10 ÷ 2000 Hz)
 - Ball bearings life.....: 1,5x10⁹ revolutions
(@ 1000 rev/m with load of 1/4 maximum allowed)
- (*) Custom options
(**) Intermittent max RPM + 30% of continuous max RPM

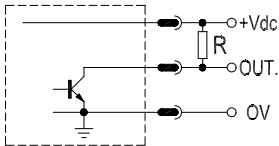
POSSIBLE OPTIONS

CODE	DESCRIPTION	CODE	DESCRIPTION	CODE	DESCRIPTION
A	High temperature	X	Custom options	G	Tropicalization
L	Low temperature			Z	Sealed ball bearing
Y	Unbreakable disk	P	Compressed air attack	B	Low torque ball bear.



ELCIS s.r.l. Via Rosa Luxembourg 12/14 10093 COLLEGNO (TO) ITALY
Phone: +39 011 715577/78 r.a.
MAIL: ELCIS s.r.l. P.O.Box 90 10093 COLLEGNO (TO) ITALY

* <http://www.elcis.com>
* e-mail: info@elcis.com
* Fax: +39 011 712613

ELECTRONIC OUTPUT	INTERFACE	PARALLEL OPTIONS
» (-) NPN open coll.10mA(std)	» (-) Parallel (standard)	»
	The angular value is present on the output connector in a 'parallel' form. The number of conductors is proportional to the resolution and the type of selected code. Any electronic output stage can be applied.	»
»	»	»
»	»	»
»	»	»

ORDERING CODE

Possible hollow Ø	(G) Gray	(-) Parallel (standard)	(CV) 1 m long cable	IP65
(n) Ø n upon req	()		()	
(6) Ø 6	()		()	
(8) Ø 8	()		()	
(10) Ø 10	()		()	
(12) Ø 12	()		()	
(15) Ø 15	()		()	

	(-) NPN open coll.10mA(std)							
	└ Only for parallel interface							

MODEL	CODE	RESOLUTION	POWER SUPPLY	OUTPUT ELECTR.	INTERFACE	CONNECT.	OUTPUT	
A 359ZP	G	256	5	-	- -	CV	R	

OPTIONS	[*]		OPTIONS parallel interface	Radial (R)
(A) High temperature	(5) 5 V ±5% (1828)18 ÷ 28 V			
(L) Low temperature	(15) 15 V ±5% (1030)10 ÷ 30 V			
(Y) Unbreakable disk	(824)8 ÷ 24 V (X) Upon req.			
(X) Custom options				
()				
(P) Compressed air attack	Cod. G, , : 8,16,32,64,128,256,512			
(G) Tropicalization	Cod. G, , : 1024,2048,4096,8192			
(Z) Sealed bal bearing	Cod. , , :			
(B) Low torque ball bear.	Cod. , , :			

Product manufactured according to ISO EN 9001, supplied with CHECKING and CONFORMITY declaration with CE mark and with TWO (2) YEARS WARRANTY starting from delivery date.

[*] Other resolutions on customer's requirement

ELCIS company has the right to make any changing without previous notice.

data sheet IA014 E00 page: 01. 359ZP 2/2



ELCIS s.r.l. Via Rosa Luxembourg 12/14 10093 COLLEGNO (TO) ITALY
 Telefono: +39 011 715577/78 r.a.
 Corrispondenza: ELCIS s.r.l. P.O.Box 90 10093 COLLEGNO (TO) ITALY

* <http://www.elcis.com>
 * e-mail: info@elcis.com
 * Fax: +39 011 712613

COPYRIGHT by ELCIS - Collegno (TO)