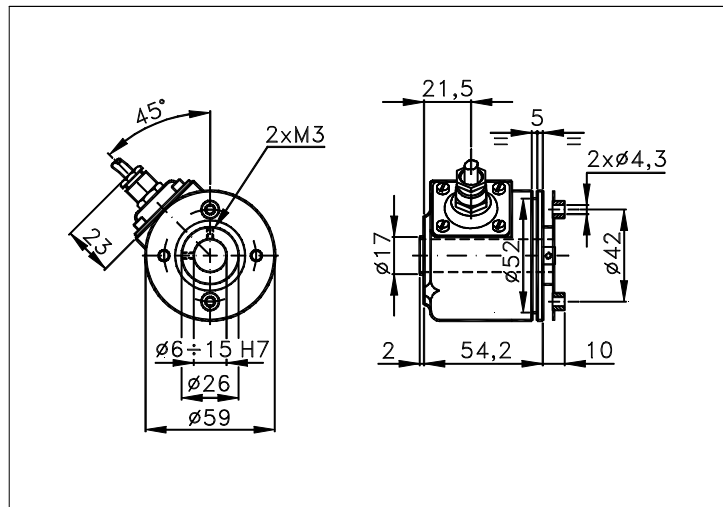


**SINGLE TURN
ABSOLUTE
ENCODER
359ZM**

Absolute single turn encoder, from 2 to 13 bits, with hollow shaft passing through with a spring coupling.
Fixing on the motor shaft by means of grub-screws.

Absolute single turn
page: 01. 359ZM 1/2
data sheet IA012 E00

Measures without tolerance according to UNI ISO 2768-mk



TECHNICAL FEATURES AND POSSIBLE CONFIGURATIONS I

- Output codes.....: Gray
 - Max pulses/rev.....: 8192 (13 bits)
 - Power supply Vcc.....: 5±5%, 15±5%, 8÷24, 18÷28, 10÷30
 - Max consumption.....: 200÷400 mA accord. to bits (*)
 - Light source.....: LED with >= 100000 h life
 - Optical sensors.....: Phototransistors
 - Max frequency.....: 50 kHz (*)
 - Operating temperature.: 0 ÷ +70 °C (*)
 - Storage temperature...: -30 ÷ +85 °C (*)
 - Burn-in @ +75 °C.....: 72 h (*)
 - Up/down commutation...: Ok
 - Mechanical zero search: No
 - Output stages.....: (-) NPN open coll.10mA(std)
 - Pre output interface...: (-) Parallel (standard)
 - Electronic options.....: (for parallel interf.)
 - Connections Radial (R): CV (*)
 - Base.....: Anodized aluminium (*)
 - Cover.....: Anodized aluminium (*)
 - Weight.....: 320 g
 - Shaft.....: Hollow stainless steel (*)
 - Max.rad/axial load.....: 4 Kg
 - IP output side.....: see 'CONNECTIONS' on page 2
 - IP shaft side.....: std.64 | sealed 65 | low torq.53
 - Contin. max RPM...(**): 6000 | 3000 | 8000
 - Starting torque.. gcm.: 85 | 110 | 50
 - Impact resistance.....: 50 G (11 ms)
 - Vibration resistance...: 12 G (10 ÷ 2000 Hz)
 - Ball bearings life.....: 1,5x10⁹ revolutions
(@ 1000 rev/m with load of 1/4 maximum allowed)
- (*) Custom options
(**) Intermittent max RPM + 30% of continuous max RPM

POSSIBLE OPTIONS

| CODE | DESCRIPTION | CODE | DESCRIPTION | CODE | DESCRIPTION |
|------|------------------|------|-----------------------|------|-----------------------|
| A | High temperature | X | Custom options | G | Tropicalization |
| L | Low temperature | | | Z | Sealed ball bearing |
| Y | Unbreakable disk | P | Compressed air attack | B | Low torque ball bear. |



ELCIS s.r.l. Via Rosa Luxembourg 12/14 10093 COLLEGNO (TO) ITALY
Phone: +39 011 715577/78 r.a.
MAIL: ELCIS s.r.l. P.O.Box 90 10093 COLLEGNO (TO) ITALY

* <http://www.elcis.com>
* e-mail: info@elcis.com
* Fax: +39 011 712613

| ELECTRONIC OUTPUT | INTERFACE | PARALLEL OPTIONS |
|-------------------------------|--|------------------|
| » (-) NPN open coll.10mA(std) | » (-) Parallel (standard) | » |
| | The angular value is present on the output connector in a 'parallel' form. The number of conductors is proportional to the resolution and the type of selected code. Any electronic output stage can be applied. | » |
| » | » | » |
| » | » | » |
| » | » | » |

ORDERING CODE

| | | | | | | | | |
|---------------------------|----------|------------------------------------|---------------------|----------------|----------------------------|------------|----------|--|
| Possible hollow Ø | (G) Gray | (-) Parallel (standard) | (CV) 1 m long cable | IP65 | | | | |
| (n) Ø n upon req | () | | () | | | | | |
| (6) Ø 6 | () | | () | | | | | |
| (8) Ø 8 | () | | () | | | | | |
| (10) Ø 10 | () | | () | | | | | |
| (12) Ø 12 | () | | () | | | | | |
| (15) Ø 15 | () | | () | | | | | |
| | | (-) NPN open coll.10mA(std) | | () | | | | |
| | | ↳ Only for parallel interface | | () | | | | |
| MODEL | CODE | RESOLUTION | POWER SUPPLY | OUTPUT ELECTR. | INTERFACE | CONNECT. | OUTPUT | |
| A 359ZM | G | 256 | 5 | - | - - | CV | R | |
| OPTIONS | [*] | | | | OPTIONS parallel interface | Radial (R) | | |
| (A) High temperature | | (5) 5 V ±5% (1828)18 ÷ 28 V | | | | | | |
| (L) Low temperature | | (15) 15 V ±5% (1030)10 ÷ 30 V | | | | | | |
| (Y) Unbreakable disk | | (824)8 ÷ 24 V (X) Upon requ. | | | | | | |
| (X) Custom options | | | | | | | | |
| () | | Cod. G, , : 8,16,32,64,128,256,512 | | | | | | |
| (P) Compressed air attack | | Cod. G, , : 1024,2048,4096,8192 | | | | | | |
| (G) Tropicalization | | Cod. , , : | | | | | | |
| (Z) Sealed bal bearing | | Cod. , , : | | | | | | |
| (B) Low torque ball bear. | | Cod. , , : | | | | | | |

Product manufactured according to ISO EN 9001, supplied with CHECKING and CONFORMITY declaration with CE mark and with TWO (2) YEARS WARRANTY starting from delivery date.

[*] Other resolutions on customer's requirement

| | | |
|--|---|--|
| | ELCIS s.r.l. Via Rosa Luxembourg 12/14 10093 COLLEGNO (TO) ITALY | * http://www.elcis.com |
| | Telefono: +39 011 715577/78 r.a. | * e-mail: info@elcis.com |
| | Corrispondenza: ELCIS s.r.l. P.O.Box 90 10093 COLLEGNO (TO) ITALY | * Fax: +39 011 712613 |

COPYRIGHT by ELCIS - Collegno (TO)