

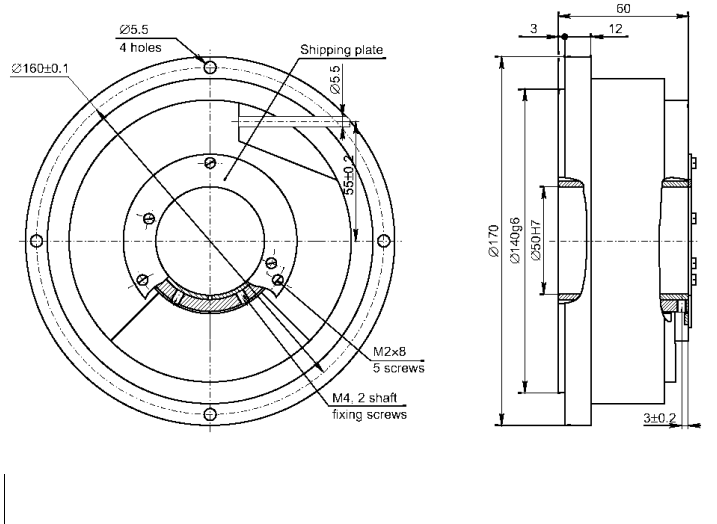
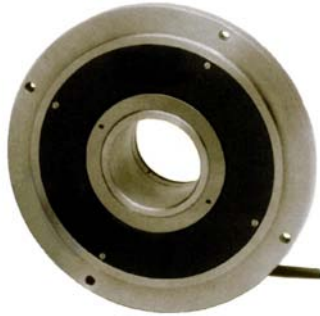
INCREMENTAL ENCODER

170CD

HIGH RESOLUTION ENCODER FIT TO BE USED ON DIVIDING TABLES ETC.
IT EMBODIES A SPECIAL TANGENTIAL COUPLIN. STAINLESS STEEL SHAFT AND BASE.

Family: **I**
page: 04.170CD 1/2
data sheet . II 123 E0C

Sized draw standard version: CV R Measures without tolerance according to UNI ISO 2768-mk
Max joint compensation: axial ± 0,01mm, radial ± 0,05mm



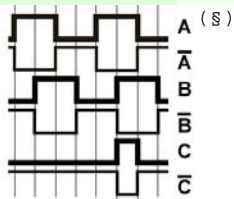
TECHNICAL FEATURES AND POSSIBLE CONFIGURATIONS

- Base.....: STAINLESS STEEL
 - Cover.....: STAINLESS STEEL
 - Weight.....: 4100 g
 - Shaft.....: Ø 50 PASS. THR. STAIN. STEEL
 - Accuracy.....: ±2.5 arc.sec.
 - IP output side.(°):: see 'CONNECTION' of page 2
 - IP shaft side.(°).> std. 64 | sealed - | low torq. -
opt. type (page 2).> standard
 - Contin. max RPM(**)> 300 - -
 - Starting torque gcm> 5000 - -
 - Ball bearings life...: 1,5 x 10⁹ revolutions
 - Impact resistance....: 30 G x 5ms
 - Vibration resistance..: 10 G (55 ÷ 2000 Hz)
 - Power supply.....: 5V (see page 2)
 - Operating temperature: 0 ÷ 70 °C
 - Storage temperature...: -30 ÷ 85 °C
 - N° of pulses/rev.....: 18000÷900000
 - Max frequency.....: 160÷2200 kHz (w. interpol.)
 - Max consumptions mA..: (I) 120 (N) 150
 - Light source.....: LED with >= 100000 h life
- (°) IP according to CEI EN 60529, EN 60529, IEC 529
- (**) intermittent max RPM + 30% of continuous max RPM

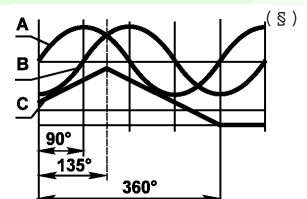
ELECTRONICS

CODE	DESCRIPTION	mA	CODE	DESCRIPTION	mA	CODE	DESCRIPTION	mA	CODE	DESCRIPTION	mA
			N	DRIVER 26LS31	20				Y	SINUSOID.1Vpp (signals amplitude: A=0,6...1,2V; B=0,6...1,2V; C=0,2...0,8V)	10

(§)



(§)



Tolerance between phases ± 25°, symmetry ± 15°

(§) Clock-wise output rotation (see shaft).

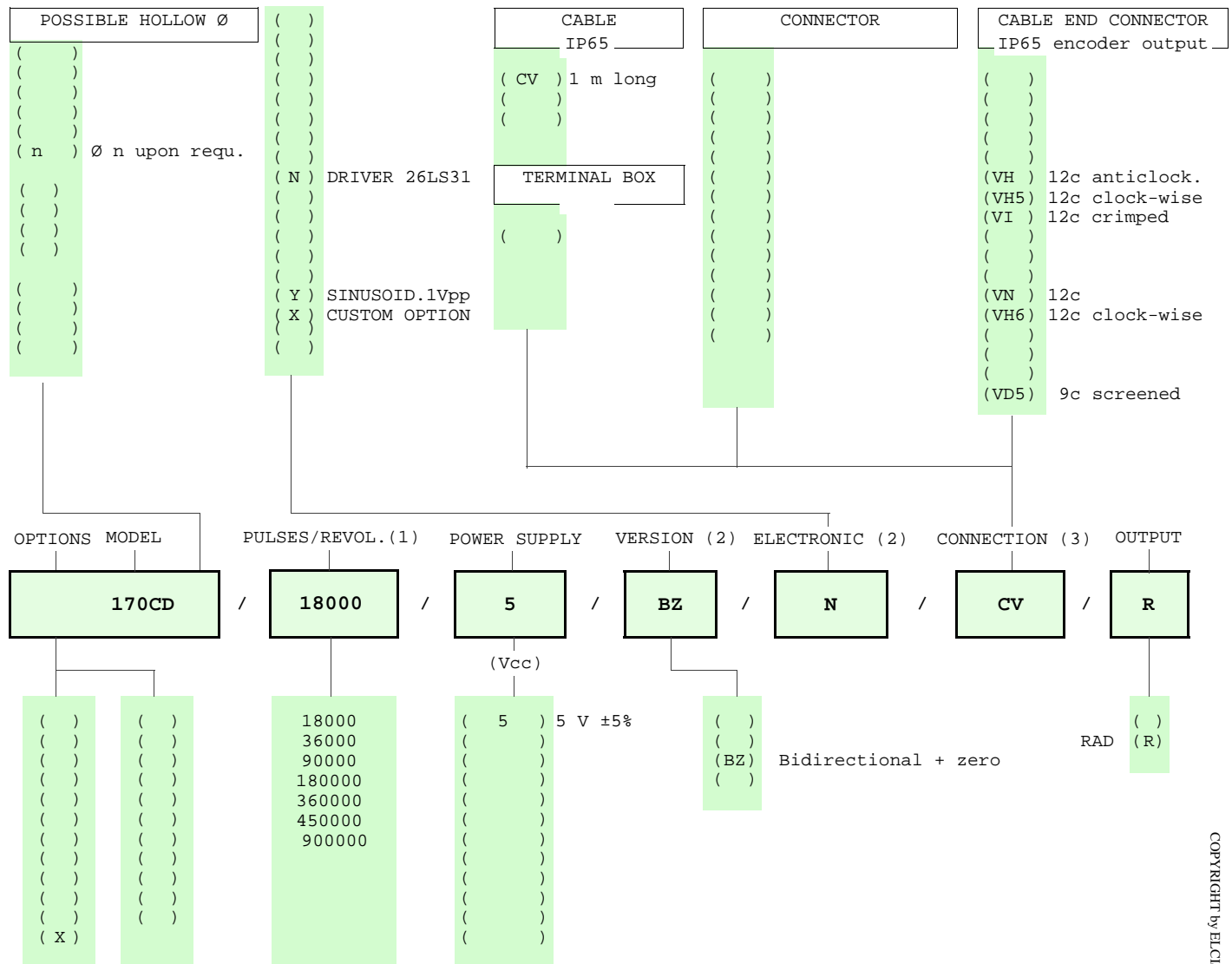


ELCIS encoder s.r.l. Via Rosa Luxembourg 12/14 10093 COLLEGNO (TO) ITALY
Phone: +39 011 715577/78 a.r.
MAIL: ELCIS encoder s.r.l. P.O.Box 43 10093 COLLEGNO (TO) ITALY

* <http://www.elcis.com>
* e-mail: info@elcis.com
* Fax: +39 011 712613

POSSIBLE OPTIONS				POSSIBLE CONNECTIONS			
CODE	DESCRIPTION	CODE	DESCRIPTION	CABLE		OUTPUT:	
				CV			RAD
				CONNECTOR		OUTPUT:	
				CABLE END CONNECTOR		OUTPUT:	
				VD5	VD VN	VH VH6	VH5 VI VS
X	Custom options			TERMINAL BOX		OUTPUT:	

ORDERING INFORMATION



(1) For further information see PULSES/REVOL. data sheet
 (2) For further information see ELECTRONIC data sheet
 (3) For further information see CONNECTION data sheet

Product manufactured according to UNI EN ISO 9001:2008, supplied with CHECKING and CONFORMITY declaration with CE mark and with TWO (2) YEARS WARRANTY starting from delivery date.

	ELCIS encoder s.r.l. Via Rosa Luxembourg 12/14 10093 COLLEGNO (TO) ITALY	* http://www.elcis.com
	Phone: +39 011 715577/78 a.r.	* e-mail: info@elcis.com
	MAIL: ELCIS encoder s.r.l. P.O.Box 43 10093 COLLEGNO (TO) ITALY	* Fax: +39 011 712613

COPYRIGHT by ELCIS - Collegno (TO)