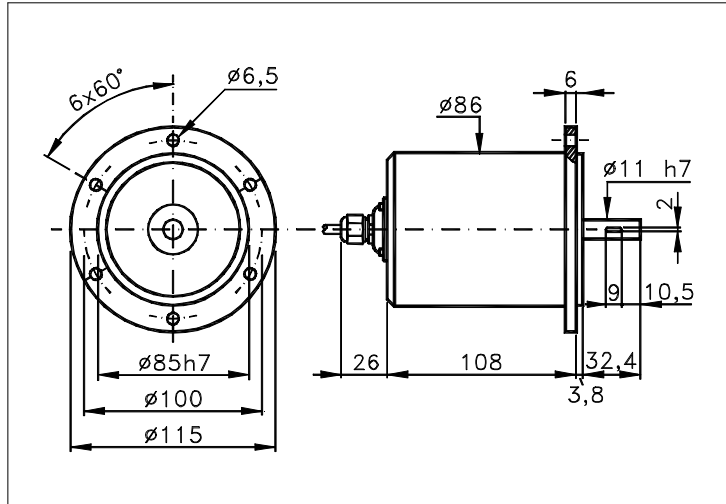


**115R**

Sized draw standard version: CV Measures without tolerance according to UNI ISO 2768-mk



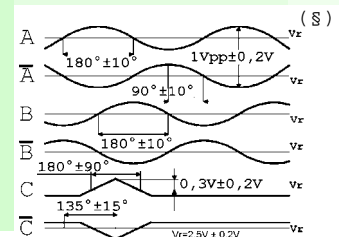
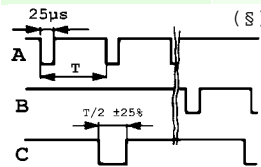
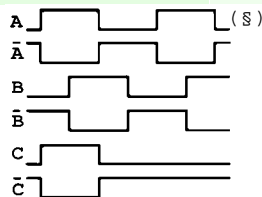
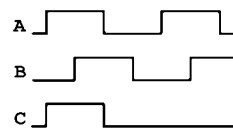
**TECHNICAL FEATURES AND POSSIBLE CONFIGURATIONS**

- Base.....: ANODIZED ALUMINIUM (\*)
- Cover.....: ANODIZED ALUMINIUM (\*)
- Weight.....: 1450 g
- Shaft.....: Ø 11 STAINLESS STEEL (\*)
- Max.rad/axial load.: 18 kg
- IP output side.(°): see 'CONNECTION' of page 2
- IP shaft side.(°):> std. 66 | sealed 67 | low torq. -
- opt. type (page 2):> standard | Z
- Contin. max RPM(\*\*):> 6000 | 3000 | -
- Starting torque gcm> 90 | 150 | -
- (°) IP according to CEI EN 60529, EN 60529, IEC 529
- (\*) custom options
- MTTFd (°°).....: HIGH
- Impact resistance.....: 50 G x 11ms
- Vibration resistance.: 12 G (10 ÷ 2000 Hz)
- Power supply.....: 5+30V (see page 2)
- Operating temperature: 0 ÷ 70 °C (\*)
- Storage temperature...: -30 ÷ 85 °C
- N° of pulses/rev.....: 1 ÷ 90000
- Max frequency.....: 100 kHz (300 option)
- Max consumptions mA.: std 120 line driver 180 (\*)
- (°°) MTTFd according to EN ISO 13849-1
- (\*\*) intermittent max RPM + 30% of continuous max RPM

**ELECTRONICS**

CODE	DESCRIPTION	mA	CODE	DESCRIPTION	mA	CODE	DESCRIPTION	mA	CODE	DESCRIPTION	mA
	STANDARD NPN	10	N	DRIVER 26LS31	30	D	DISCRIMINAT.	70	Y	SINUSOID.1Vpp	10
K	NPN OPEN COLL	10	T	TTL 7404	10						
Q	NPN	70	C	DRIVER 88C30	20						
R	NPN OPEN COLL	70	L	2x PUSH-P.PRO	70						
P	PNP	70	M	2x PUSH-PULL	70						
U	PNP OPEN COLL	70									
B	PUSH-PULL PRO	70									
H	PUSH-PULL	70									

(§) Clock-wise output rotation (see shaft).



Tolerance between phases ± 25°, symmetry ± 15°



ELCIS encoder s.r.l. Via Rosa Luxembourg 12/14 10093 COLLEGNO (TO)  
ITALY  
Phone: +39 011 715577/78 a.r.

\* <http://www.elcis.com>  
\* e-mail: [info@elcis.com](mailto:info@elcis.com)  
\* Fax: +39 011 712613

POSSIBLE OPTIONS				POSSIBLE CONNECTIONS				
CODE	DESCRIPTION	CODE	DESCRIPTION	CABLE			OUTPUT:	
L	Low temperature	C	Low consumption	CV			AX RAD	
Y	Unbreakable disk	Q	Oil seal	CONNECTOR			OUTPUT:	
Z	Sealed ball bearing	J	Zero logic combination	CM	SM	CL SL	CH	AX RAD
H	Different shaft Ø	M	Impregnated electronic	CABLE END CONNECTOR			OUTPUT:	
S	160 KHz frequency	A	High temperature	VM	TM	VL TL	VD VH	AX
W	300 KHz frequency	P	Compressed air attack	VE	VK	TK VN	VH6 VM5 VM9 VS	RAD
X	Custom options	K	Invert. phase A,B,Zero.	TERMINAL BOX			OUTPUT:	
G	Tropicalization			MS				RAD

### ORDERING INFORMATION

POSSIBLE SHAFT Ø	STANDARD NPN	CABLE	CONNECTOR	CABLE END CONNECTOR
( )	( K ) NPN OPEN COLL	IP67		IP65 encoder output
( )	( Q ) NPN	( CV ) 1 m long	( CM ) 7c norm. IP65	( VM ) 7c normal
( )	( R ) NPN OPEN COLL	( )	( SM ) 7c sealed IP66	( TM ) 7c sealed
( )	( P ) PNP		( CL ) 10c norm. IP65	( VL ) 10c normal
( )	( U ) PNP OPEN COLL		( SL ) 10c sealed IP66	( TL ) 10c sealed
( n ) Ø n upon requ.	( B ) PUSH-PULL PRO		( )	( VD ) 9c
( )	( H ) PUSH-PULL	TERMINAL BOX	( CH ) 12c ccw IP67	( VH ) 12c anticlock.
( )	( N ) DRIVER 26LS31	IP66	( )	( VH5 ) 12c clock-wise
( )	( T ) TTL 7404	( MS ) Phoenix	( )	( VI ) 12c crimped
( )	( C ) DRIVER 88C30		( )	( VE ) 5c
( )	( L ) 2x PUSH-P.PRO		( )	( VK ) 17c normal
( )	( M ) 2x PUSH-PULL		( )	( TK ) 17c sealed
( )	( D ) DISCRIMINAT.		( )	( VN ) 12c
( )	( Y ) SINUSOID.1Vpp		( )	( VH6 ) 12c clock-wise
( )	( X ) CUSTOM OPTION		( )	( VM5 ) 26c
( )			( )	( VM9 ) 16c
( )			( )	( VS ) 12c
( )			( )	( VD5 ) 9c screened
( )			( )	( )

OPTIONS	MODEL	PULSES/REVOL. (1)	POWER SUPPLY	VERSION (2)	ELECTRONIC (2)	CONNECTIO N	OUTPUT	CABLE LENGHT
I/	115R	500	5	BZ	N	CV		01

- ( L )
- ( Y )
- ( Z )
- ( )
- ( H )
- ( )
- ( )
- ( )
- ( S )
- ( W )
- ( )
- ( )
- ( )
- ( X )

1 ÷ 90000

- (Vcc)
- ( 5 ) 5 V ±5%
  - ( 824 ) 8÷24 V
  - ( 1828 ) 18÷28 V
  - ( 815 ) 8÷15 V
  - ( 12 ) 12 V ±5%
  - ( 24 ) 24 V ±5%
  - ( 1230 ) 12÷30/12 V
  - ( 8245 ) 8÷24/5 V
  - ( 1030 ) 10÷30 V
  - ( 18285 ) 18÷28/5 V
  - ( 1530 ) 15÷30/15 V
  - ( )

- ( M ) Monodirectional
- ( B ) Bidirectional
- ( BZ ) Bidirectional + zero
- ( MZ ) Monodirectional + zero

- AX ( )
- RAD ( R )
- 1 m long (01)
- n m long ( n )

NOTE: FOR 88C30 MAX 15 Vdc

- (1) For further information see PULSES/REVOL. data sheet
- (2) For further information see ELECTRONIC data sheet
- (3) For further information see CONNECTION data sheet

Product manufactured according to UNI EN ISO 9001:2008, supplied with CHECKING and CONFORMITY declaration with CE mark and with TWO (2) YEARS WARRANTY starting from delivery date.



COPYRIGHT by ELCIS - Collegno (TO)

	<p>ELCIS encoder s.r.l. Via Rosa Luxembourg 12/14 10093 COLLEGNO (TO) ITALY Phone: +39 011 715577/78 a.r.</p>		<ul style="list-style-type: none"> <li>* <a href="http://www.elcis.com">http://www.elcis.com</a></li> <li>* e-mail: <a href="mailto:info@elcis.com">info@elcis.com</a></li> <li>* Fax: +39 011 712613</li> </ul>
--	---	--	--