

Switching Power Supply Type SPD 100W Bi-Phase DIN rail mounting

CARLO GAVAZZI



- Installation on DIN Rail 7.5 or 15mm
- Short circuit protection
- Input single phase 340 to 575VAC
- Passive PFC
- Power ready output on 24VDC
- LED indicator for DC power ON
- LED indicator for DC low
- Standard parallel function
- Very compact dimensions
- UL, cUL listed and TUV/CE approved

Product Description

This particular SPD is the most compact 100W power supply on the market. Relay output for “power ready” parallel function and PFC are included. Performances are unique with high efficiencies

and the possibility of being used up to 70°C with a little derating. Furthermore it can be powered with 2 phases of a 3 phase grid system due to its high voltage input.

Ordering Key

SP D 24 100 2

Model _____
 Mounting (D = Din rail) _____
 Output voltage _____
 Output power _____
 Input type _____

Input type: 2= single phase high voltage (bi-phase)

Approvals



Output Performances

Model	Rated output Voltage (VDC)	Output Power (W)	Output Current (A)	Voltage Trim Range 0.8 I _{o nom}		DC ON LED (VDC) Threshold at startup		DC LO LED (VDC) Threshold after startup		Typical Efficiency
				Min. VDC	Max. VDC	Min.	Max.	Min.	Max.	
SPD12100	12	100.8	8.4	11.4	14.5	10	11.2	10	11.2	86%
SPD24100	24	100.8	4.2	22.5	28.5	17.6	19.4	17.6	19.4	87%
SPD48100	48	100.8	2.1	47.0	56.0	37.0	43.0	37.0	43.0	89%

Output Data

Output voltage accuracy	-0 +1% max (factory adjusted)	Rise Time	
Line regulation	± 1%	Vi nom, Io nom	150ms
Load regulation		Vi nom, Io nom with Capacitor load	500ms
Non parallel model	± 1%	Capacitor Load	
Parallel model	± 5%	12V, 24V versions	7000µF
Temp. coefficient	± 0.03% / °C	48V version	3500µF
Ripple and noise	50mV	Reverse Voltage Immunity	
Vi nom, Io nom, BW=20MHz		12V	18V
Rated continuous Loading	8.4A @ 12VDC / 6.9A @14.5VDC 4.2A @ 24VDC / 3.5A @ 28.5VDC 2.1A @ 48VDC / 1.8A @ 56VDC	24V	35V
Fall Time	150ms	48V	63V
Transient recovery time		Hold up Time Vi nom Io max	20ms
Vi nom, Io = 0.5 x Inom	2ms	Minimum load Vi nom	0%
Turn On Time		Parallel Operation	2 units max.
Vi nom, Io nom	1.0s	0.1 Io min~0.9 Io max	
Vi nom, Io nom with Capacitor load	1.5s		



Input Data

Rated input voltage	400/500VAC	Frequency range	47 - 63Hz
Voltage range AC in DC in	340 - 575VAC 480 - 820VDC	Internal Voltage Surge Protection (acc. to IEC61000-4-5)	Varistor
Rated input current	0.48A / 0.75A	Leakage Current Input / Output Input / FG	0.25mA 3.5mA
Power dissipation 12V 24V 48V	15.0W 13.0W 10.5W	Inrush current	10A
		P.F.C.	0.55

Controls and Protections

Input Fuse	2A/600VAC internal ¹⁾	Input Voltage Surge Protection	Varistor
Output Short Circuit	current limit	Power ready (only SPD241002) Threshold at start up (contact closed) Contact rating at 60VDC Insulation	Min. 17.6VDC - Max.19.4VDC 0.3A 500VDC
Rated Overload Protection	115 - 135%		
Over voltage protection (auto recovery) 12V model 24V model 48V model	14.5V to 17.4V 30.0V to 33.0V 60.0V to 66.0V		

¹⁾ Fuse not replaceable by user

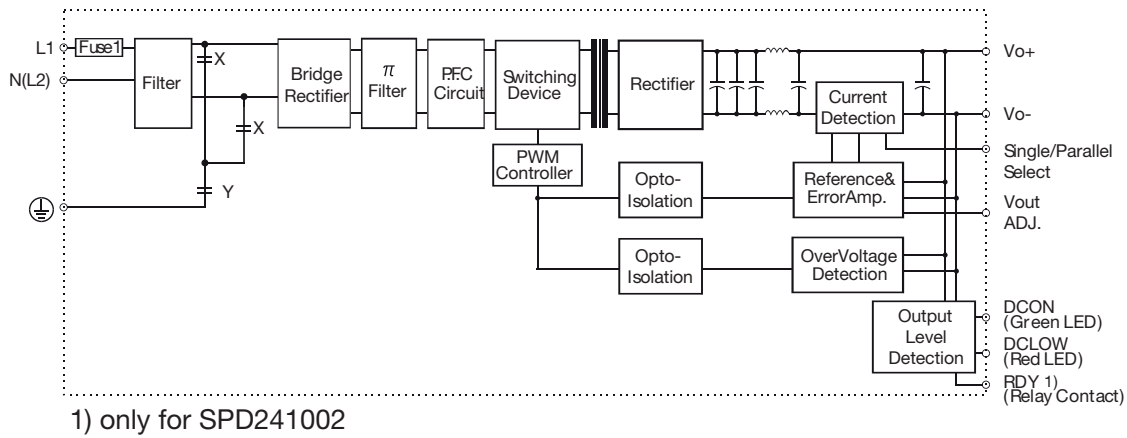
General Data (@ nominal line, full load, 25°C)

Ambient temperature	-25°C to 71°C	MTBF (Bellcore Issue 6@40°C), GB 12V model 24V model 48V model	622.000h 661.000h 672.000h
Derating (>61°C to +71°C)	2.5% / °C	Altitude during operation	3.000m
Ambient humidity	20 to 95%RH	Case material	Plastic
Storage	-25°C to +85°C	Dimensions L x W x D	90 x 54 x 114mm
Pollution degree	2	Weight	500g
Protection degree	IP20		
Cooling	Free air convection		
Switching frequency	45kHz		

Approvals and EMC

Insulation voltage Input / Output Input / FG	3.000VAC / 4242VDC 1500VAC / 2121VDC	CE	EN 61000-6-3, EN 55022 Class B, EN 61000-3-2, EN 61000-3-3 EN 61000-6-2, EN 55024, EN 61000-4-2 Level 4, EN 61000-4-3 Level 3 EN 61000-4-4 Level 4, EN 61000-4-5 L-N Level 3, L / N-FG Level 4 EN 61000-4-6 Level 3, EN 61000-4-8 Level 4, EN 61000-4-11 ENV 50204 Level 2, EN 61204-3
Insulation resistance	100MΩ min		
Shock resistance	acc. to IEC 60068-2-27 (15G, 11ms, 3 Axis, 6 Faces, 3 times for each Face)		
Vibration resistance	acc. to IEC 60068-2-6 (Mounting by rail: 10-500 Hz, 2G, along X, Y, Z each Axis, 60 min for each Axis)		
UL / cUL	UL 508 Listed UL 60950-1		
TUV	EN 60950-1, CB scheme EN 61558-1, EN 61558-2-17 (acc.to EN 60204)		

Block Diagrams



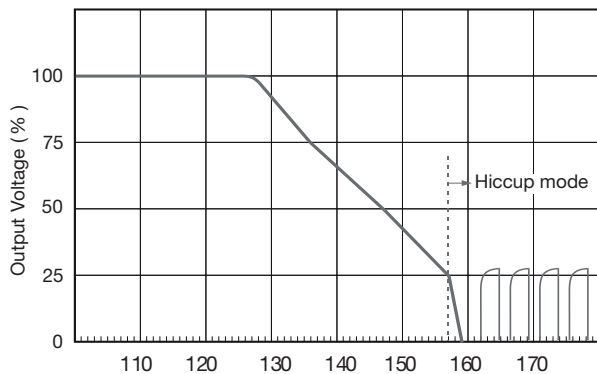
Pin Assignment and Front Controls

Pin No.	Designation	Description
1	RDY	NO relay contact for DC OK (only SPD241002)
2	RDY	NO relay contact for DC OK (only SPD241002)
3	V+	Positive output terminal
4	V+	Positive output terminal
5	V-	Negative output terminal
6	V-	Negative output terminal
7	GND	Ground terminal to minimise High frequency emissions
8	N or L2	Neutral or phase 2 (no polarity with DC input)
9	L1	Phase 1 (no polarity with DC input)
L1	DC ON	DC output ready LED
L2	DC LO	DC low indicator LED
POT1	Vout ADJ.	Trimmer for fine output voltage adjustment
SW1	S/P	Single / Parallel select switch

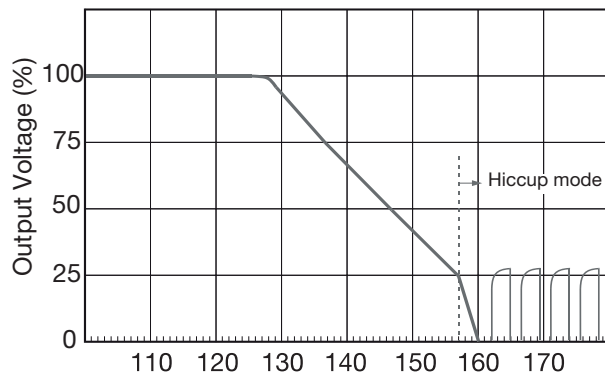
Typ. Current Limited Curve

SPD241002 / 400VAC

SPD241002 / 500VAC

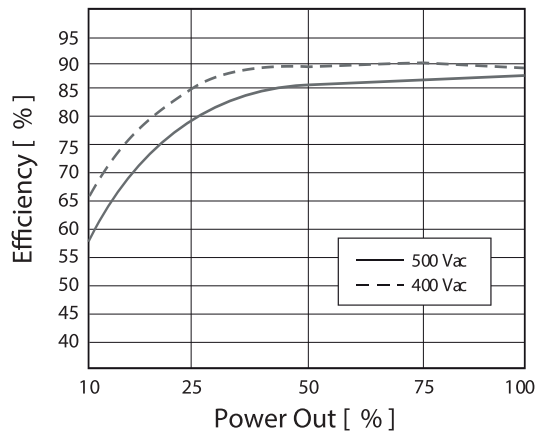


Power Out (%)

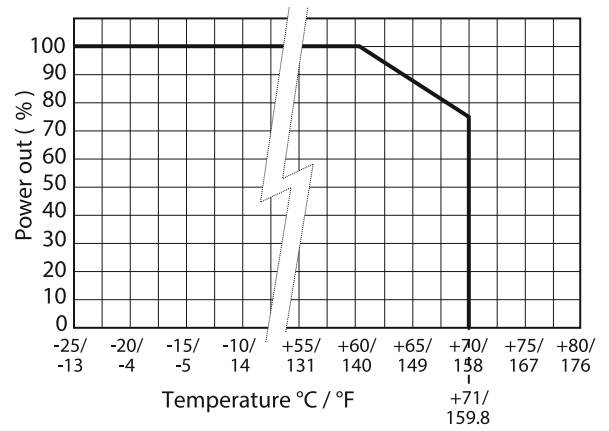


Power Out (%)

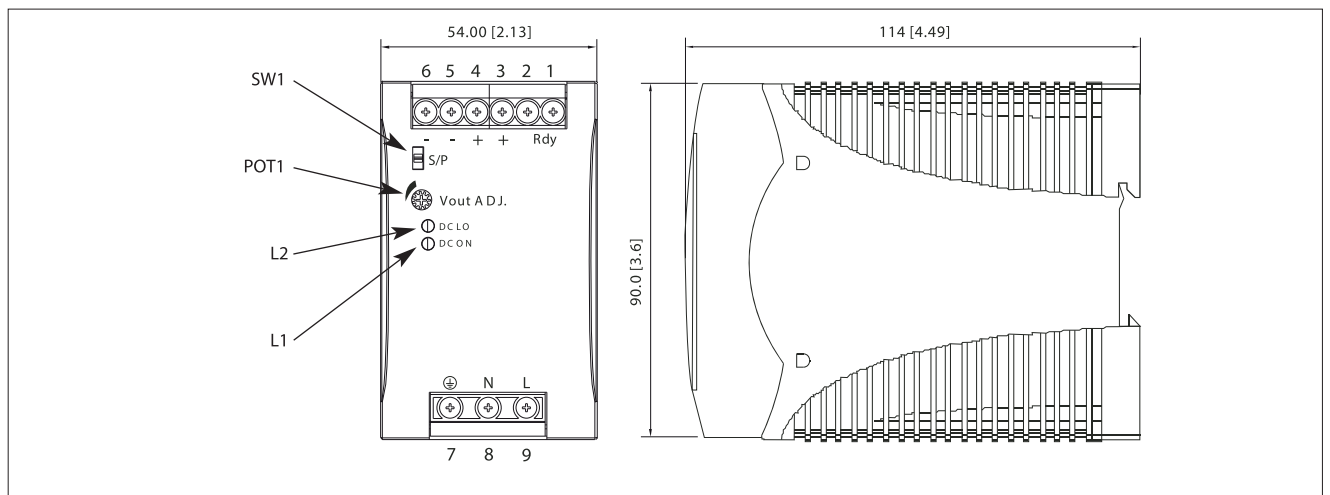
Typ. Efficiency Curve



Derating Diagram



Mechanical Drawings mm (inches)



Installation

Ventilation and cooling	Normal convection All sides 25mm free space for cooling is recommended
Screw terminals 8mm stripping recommend	10-24AWG flexible or solid cable
Max. torque for screws terminals Input terminals Output terminals	1.008Nm (9.0lb-in) 0.616Nm (5.5lb-in)
Plug-in connectors 7mm stripping recommend	10-24AWG flexible or solid cable
Max. torque for plug-in terminals Input terminals Output terminals	0.784Nm (7.0lb-in) 0.784Nm (7.0lb-in)
Recommended circuit breaker	3A / 5A / 6A B, D characteristics