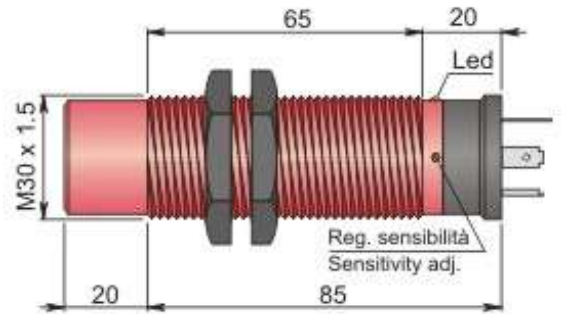


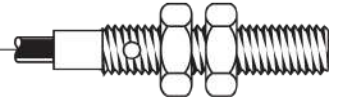
**Part number: CAP000033 - Model: SC30P-CE25 NPN NO+NC K**



Dimension in mm

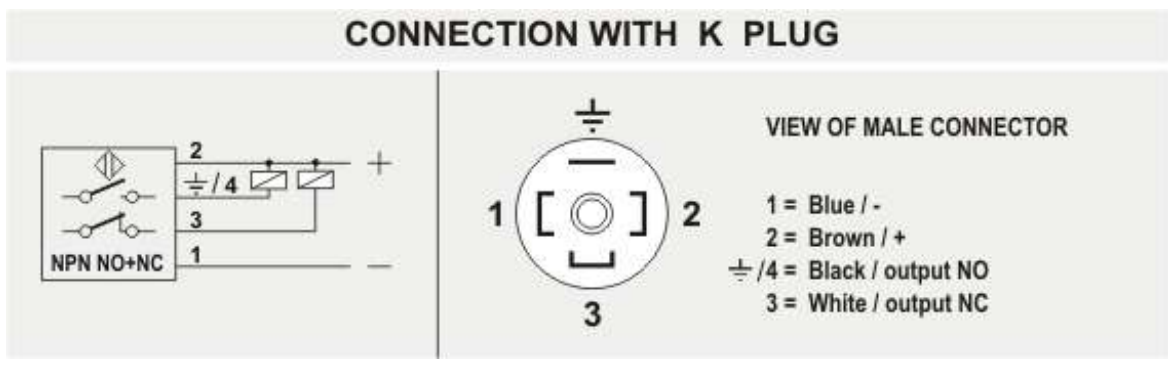
**TECHNICAL CHARACTERISTICS**

Working voltage:	10 ÷ 55 Vdc
Output type:	DC NPN
Function:	NO+NC
Actuation type:	Instantaneous
Sensing distance (mm):	0 ÷ 25 (adjustable)
Hysteresis (%Sn):	Depends on the switching distance
Max switching frequency:	10 Hz
Repeatability (%Sn):	< 1
Max output current:	300 mA
Absorption:	< = 10 mA @ 24Vdc
Voltage drop:	< 1.8 V
Short circuit protection:	Present
Led indicator:	Present
Shielding:	Not embeddable
Mechanical characteristics:	M30x1.5
Housing material:	Black plastic
Connection type:	K plug
Temperature limits:	-20 ÷ +70 °C
IP rating:	IP 65
Weight:	140 g

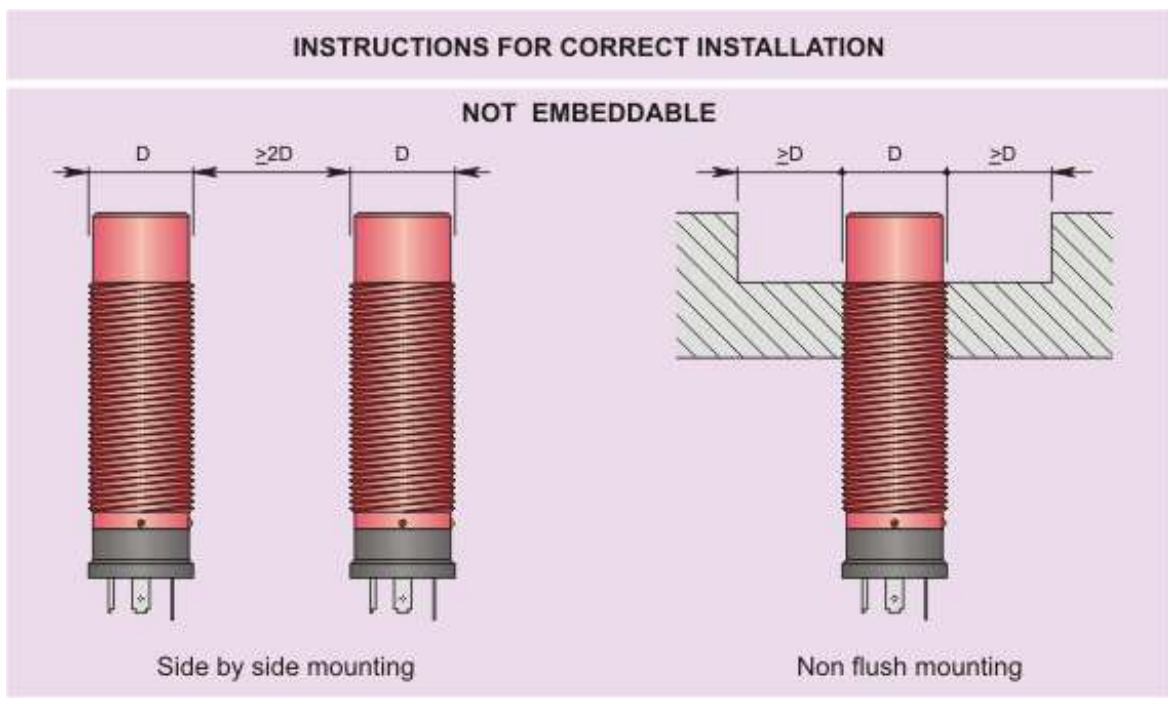


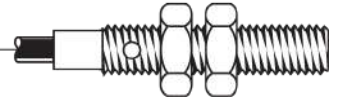
**Part number: CAP000033 - Model: SC30P-CE25 NPN NO+NC K**

**WIRING DIAGRAM**

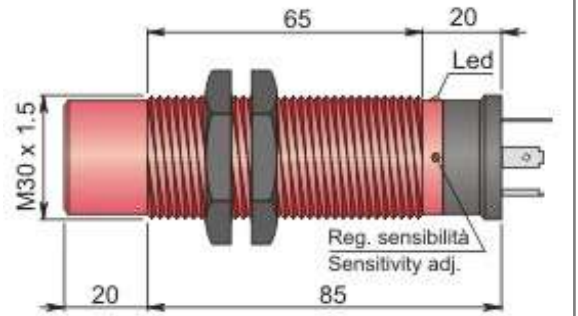


**INSTRUCTIONS FOR CORRECT INSTALLATION**





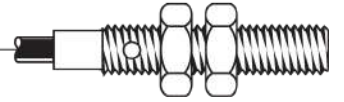
**Part number: CAP000042 - Model: SC30P-CE25 PNP NO+NC K**



Dimension in mm

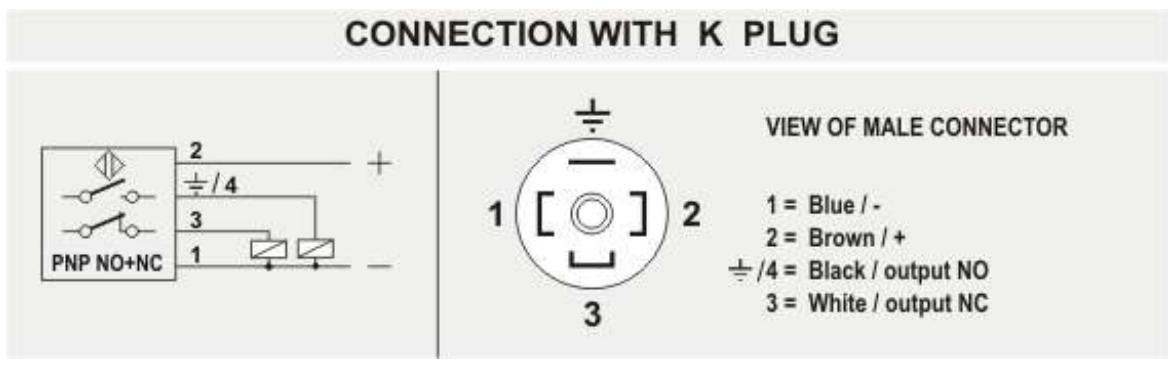
### TECHNICAL CHARACTERISTICS

Working voltage:	10 ÷ 55 Vdc
Output type:	DC PNP
Function:	NO+NC
Actuation type:	Instantaneous
Sensing distance (mm):	0 ÷ 25 (adjustable)
Hysteresis (%Sn):	Depends on the switching distance
Max switching frequency:	10 Hz
Repeatability (%Sn):	< 1
Max output current:	300 mA
Absorption:	< = 10 mA @ 24Vdc
Voltage drop:	< 1.8 V
Short circuit protection:	Present
Led indicator:	Present
Shielding:	Not embeddable
Mechanical characteristics:	M30x1.5
Housing material:	Black plastic
Connection type:	K plug
Temperature limits:	-20 ÷ +70 °C
IP rating:	IP 65
Weight:	140 g

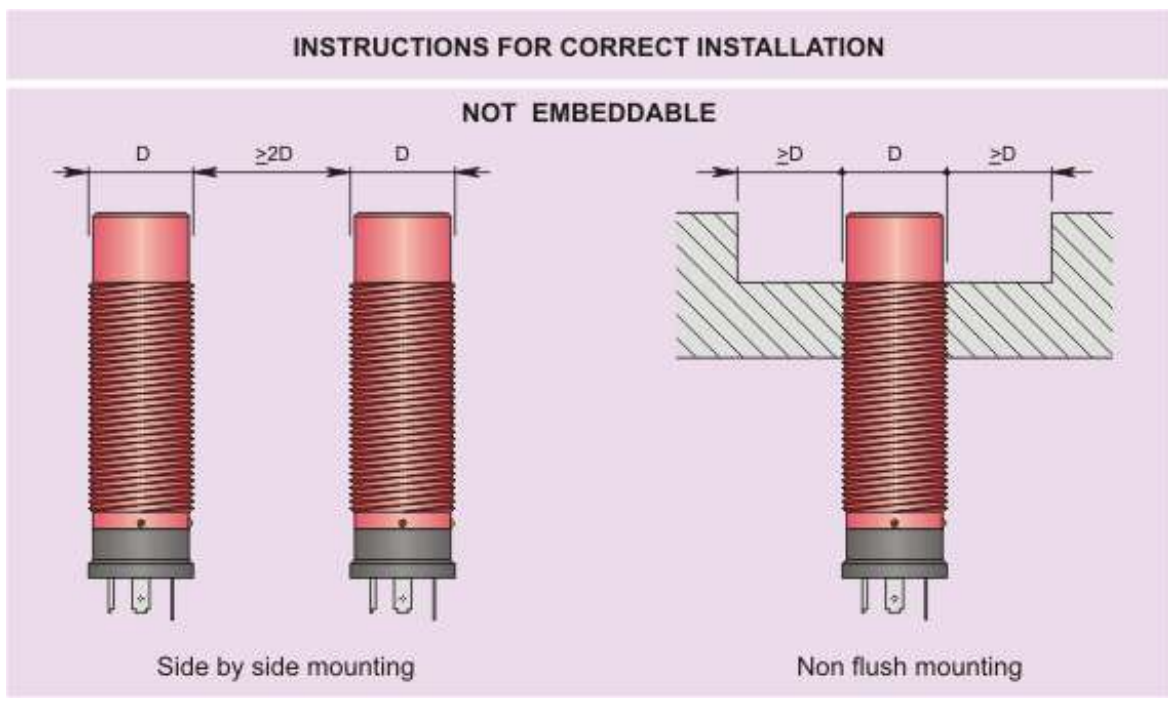


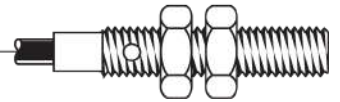
Part number: CAP000042 - Model: SC30P-CE25 PNP NO+NC K

**WIRING DIAGRAM**

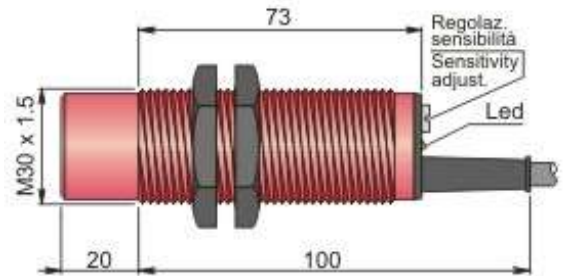


**INSTRUCTIONS FOR CORRECT INSTALLATION**





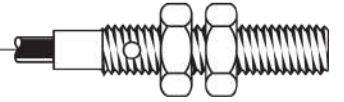
**Part number: C3000011 - Model: SC30P-RE25**



Dimension in mm

### TECHNICAL CHARACTERISTICS

Working voltage:	12 ÷ 240 Vac/dc
Output type:	AC/DC
Function:	Relay
Actuation type:	Instantaneous
Sensing distance (mm):	0 ÷ 25 (adjustable)
Hysteresis (%Sn):	Depends on the switching distance
Max switching frequency:	10 Hz
Repeatability (%Sn):	< 1
Max output current:	1 A @ 220 Vac
Absorption:	< 20 mA @ relay activated
Led indicator:	Present
Shielding:	Not embeddable
Mechanical characteristics:	M30x1.5
Housing material:	Black plastic
Connection type:	Cable 2 m
Cable type:	5x0.35 PVC
Temperature limits:	-20 ÷ +70 °C
IP rating:	IP 67
Weight:	220 g



Part number: C3000011 - Model: SC30P-RE25

## WIRING DIAGRAM

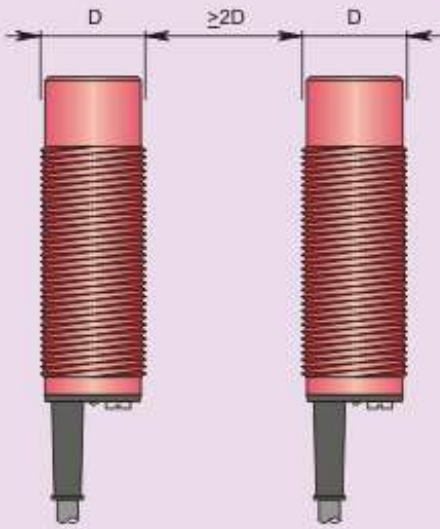
### 5 WIRES CABLE



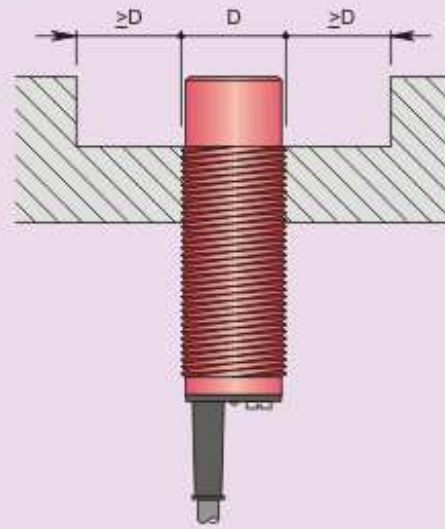
## INSTRUCTIONS FOR CORRECT INSTALLATION

### INSTRUCTIONS FOR CORRECT INSTALLATION

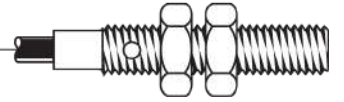
#### NOT EMBEDDABLE



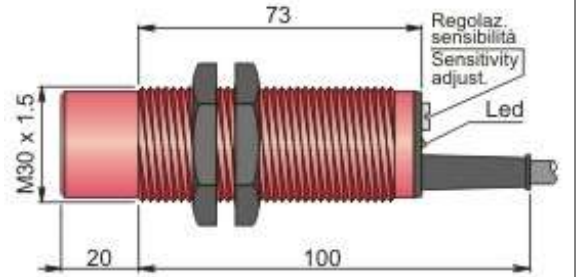
Side by side mounting



Non flush mounting



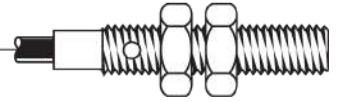
**Part number: C3000015 - Model: SC30P-RE25 LC10**



Dimension in mm

### TECHNICAL CHARACTERISTICS

Working voltage:	12 ÷ 240 Vac/dc
Output type:	AC/DC
Function:	Relay
Actuation type:	Instantaneous
Sensing distance (mm):	0 ÷ 25 (adjustable)
Hysteresis (%Sn):	Depends on the switching distance
Max switching frequency:	10 Hz
Repeatability (%Sn):	< 1
Max output current:	1 A @ 220 Vac
Absorption:	< 20 mA @ relay activated
Led indicator:	Present
Shielding:	Not embeddable
Mechanical characteristics:	M30x1.5
Housing material:	Black plastic
Connection type:	Cable 10 m
Cable type:	5x0.35 PVC
Temperature limits:	-20 ÷ +70 °C
IP rating:	IP 67
Weight:	650 g



Part number: C30000015 - Model: SC30P-RE25 LC10

## WIRING DIAGRAM

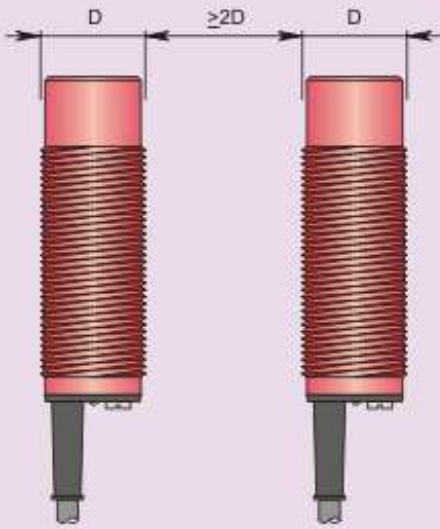
### 5 WIRES CABLE



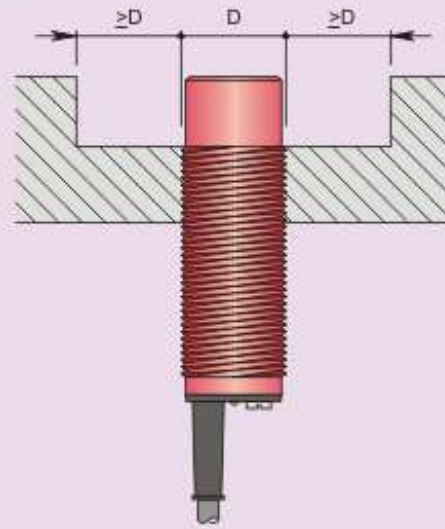
## INSTRUCTIONS FOR CORRECT INSTALLATION

### INSTRUCTIONS FOR CORRECT INSTALLATION

#### NOT EMBEDDABLE

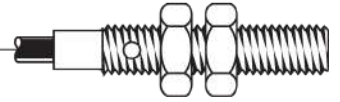


Side by side mounting

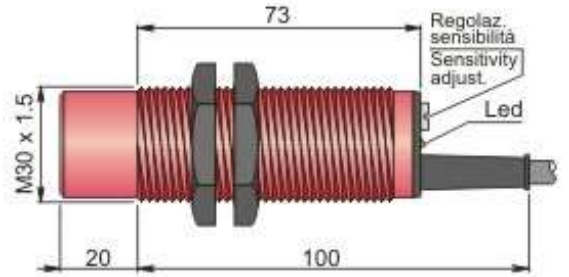


Non flush mounting





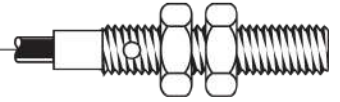
**Part number: C3000013 - Model: SC30P-RE25 LC5**



Dimension in mm

### TECHNICAL CHARACTERISTICS

Working voltage:	12 ÷ 240 Vac/dc
Output type:	AC/DC
Function:	Relay
Actuation type:	Instantaneous
Sensing distance (mm):	0 ÷ 25 (adjustable)
Hysteresis (%Sn):	Depends on the switching distance
Max switching frequency:	10 Hz
Repeatability (%Sn):	< 1
Max output current:	1 A @ 220 Vac
Absorption:	< 20 mA @ relay activated
Led indicator:	Present
Shielding:	Not embeddable
Mechanical characteristics:	M30x1.5
Housing material:	Black plastic
Connection type:	Cable 5 m
Cable type:	5x0.35 PVC
Temperature limits:	-20 ÷ +70 °C
IP rating:	IP 67
Weight:	380 g



Part number: C30000013 - Model: SC30P-RE25 LC5

## WIRING DIAGRAM

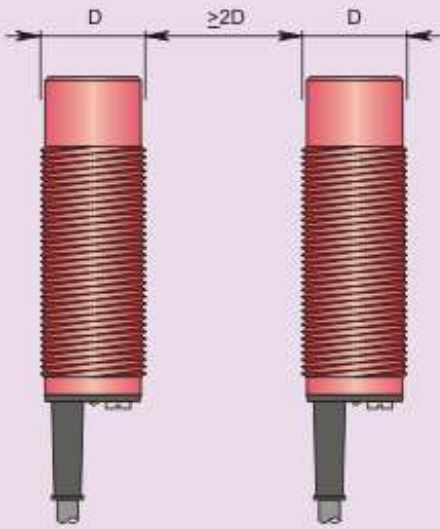
### 5 WIRES CABLE



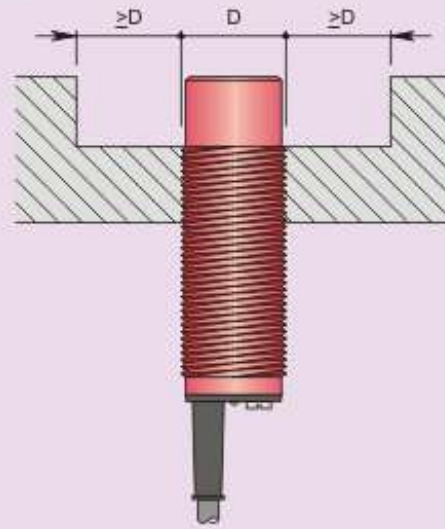
## INSTRUCTIONS FOR CORRECT INSTALLATION

### INSTRUCTIONS FOR CORRECT INSTALLATION

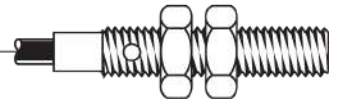
#### NOT EMBEDDABLE



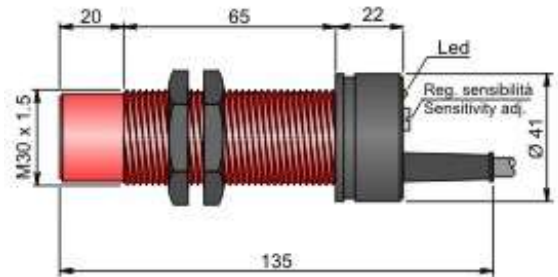
Side by side mounting



Non flush mounting



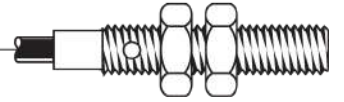
**Part number: C3000001 - Model: SC30P-RE25 T1'**



Dimension in mm

### TECHNICAL CHARACTERISTICS

Working voltage:	12 ÷ 240 Vac/dc
Output type:	AC/DC
Function:	Relay
Actuation type:	Delayed
Delay range (min):	0 ÷ 1
Sensing distance (mm):	0 ÷ 25 (adjustable)
Hysteresis (%Sn):	Depends on the switching distance
Max switching frequency:	Depends on delay
Repeatability (%Sn):	< 1
Max output current:	1 A @ 220 Vac
Absorption:	< 20 mA @ relay activated
Led indicator:	Present
Shielding:	Not embeddable
Mechanical characteristics:	M30x1.5
Housing material:	Black plastic
Connection type:	Cable 2 m
Cable type:	5x0.35 PVC
Temperature limits:	-20 ÷ +70 °C
IP rating:	IP 65
Weight:	270 g



Part number: C3000001 - Model: SC30P-RE25 T1'

## WIRING DIAGRAM

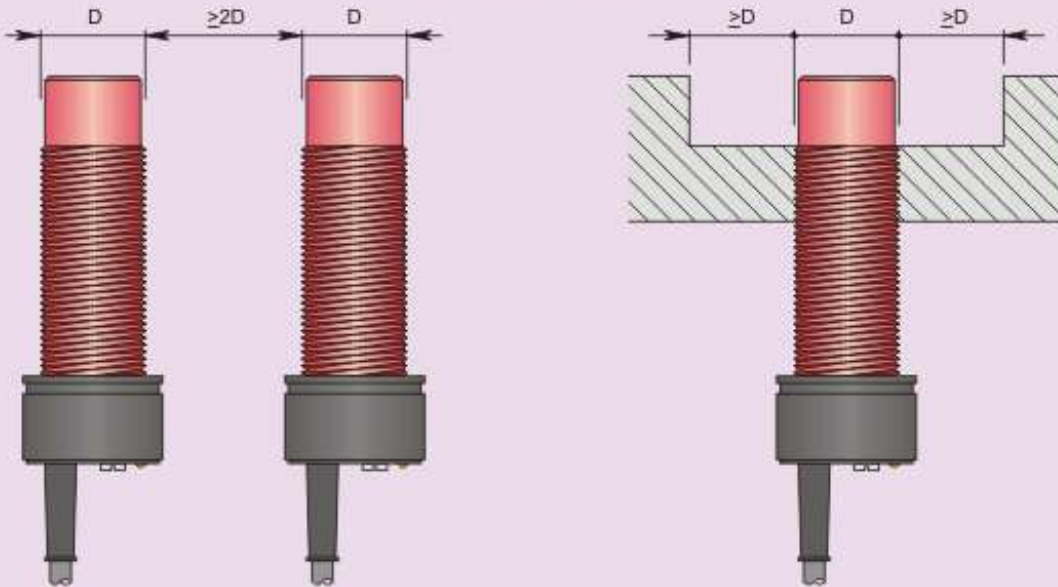
### 5 WIRES CABLE



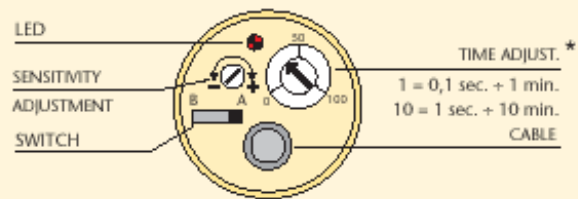
## INSTRUCTIONS FOR CORRECT INSTALLATION

### INSTRUCTIONS FOR CORRECT INSTALLATION

#### NOT EMBEDDABLE



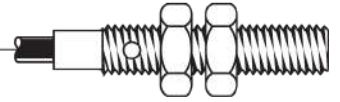
## BACK VIEW



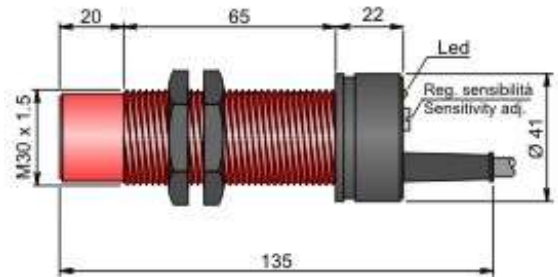
\* The 100 on the time regulation trimmer scale corresponds to the full scale of the time range of the sensor.

**PROGRAMMABLE FUNCTION TABLE**

FUNCTION	SWITCH POS.	RELAY OUTPUT WIRES COLOUR
TE NO	B	Red / Black
TE NC	A	Red / Black
TD NO	A	Red / White
TD NC	B	Red / White



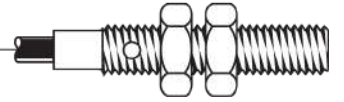
**Part number: C3000005 - Model: SC30P-RE25 T1' LC10**



Dimension in mm

### TECHNICAL CHARACTERISTICS

Working voltage:	12 ÷ 240 Vac/dc
Output type:	AC/DC
Function:	Relay
Actuation type:	Delayed
Delay range (min):	0 ÷ 1
Sensing distance (mm):	0 ÷ 25 (adjustable)
Hysteresis (%Sn):	Depends on the switching distance
Max switching frequency:	Depends on delay
Repeatability (%Sn):	< 1
Max output current:	1 A @ 220 Vac
Absorption:	< 20 mA @ relay activated
Led indicator:	Present
Shielding:	Not embeddable
Mechanical characteristics:	M30x1.5
Housing material:	Black plastic
Connection type:	Cable 10 m
Cable type:	5x0.35 PVC
Temperature limits:	-20 ÷ +70 °C
IP rating:	IP 65
Weight:	700 g



Part number: C3000005 - Model: SC30P-RE25 T1' LC10

## WIRING DIAGRAM

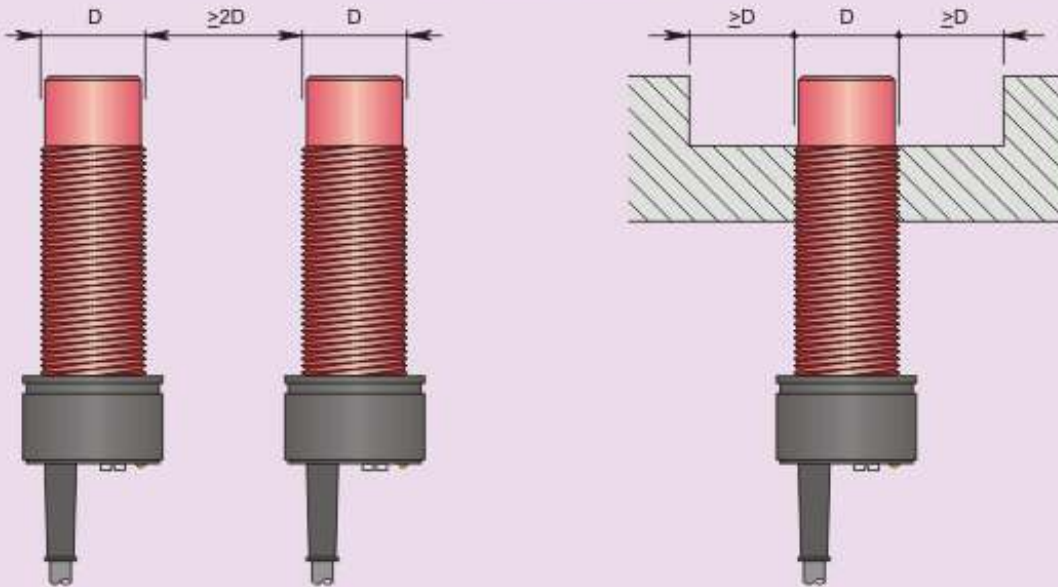
### 5 WIRES CABLE



## INSTRUCTIONS FOR CORRECT INSTALLATION

### INSTRUCTIONS FOR CORRECT INSTALLATION

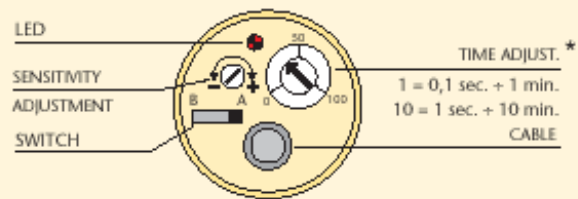
#### NOT EMBEDDABLE



Side by side mounting

Non flush mounting

## BACK VIEW

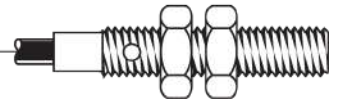


\* The 100 on the time regulation trimmer scale corresponds to the full scale of the time range of the sensor.

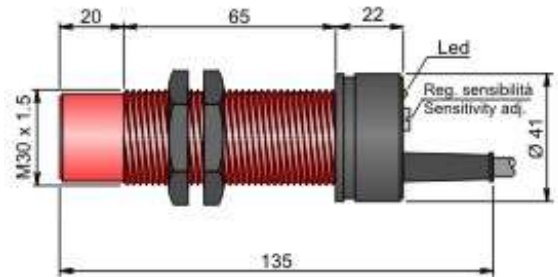
**PROGRAMMABLE FUNCTION TABLE**

FUNCTION	SWITCH POS.	RELAY OUTPUT WIRES COLOUR
TE NO	B	Red / Black
TE NC	A	Red / Black
TD NO	A	Red / White
TD NC	B	Red / White





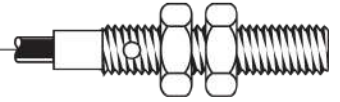
**Part number: C3000003 - Model: SC30P-RE25 T1' LC5**



Dimension in mm

### TECHNICAL CHARACTERISTICS

Working voltage:	12 ÷ 240 Vac/dc
Output type:	AC/DC
Function:	Relay
Actuation type:	Delayed
Delay range (min):	0 ÷ 1
Sensing distance (mm):	0 ÷ 25 (adjustable)
Hysteresis (%Sn):	Depends on the switching distance
Max switching frequency:	Depends on delay
Repeatability (%Sn):	< 1
Max output current:	1 A @ 220 Vac
Absorption:	< 20 mA @ relay activated
Led indicator:	Present
Shielding:	Not embeddable
Mechanical characteristics:	M30x1.5
Housing material:	Blak plastic
Connection type:	Cable 5 m
Cable type:	5x0.35 PVC
Temperature limits:	-20 ÷ +70 �C
IP rating:	IP 65
Weight:	430 g



Part number: C3000003 - Model: SC30P-RE25 T1' LC5

## WIRING DIAGRAM

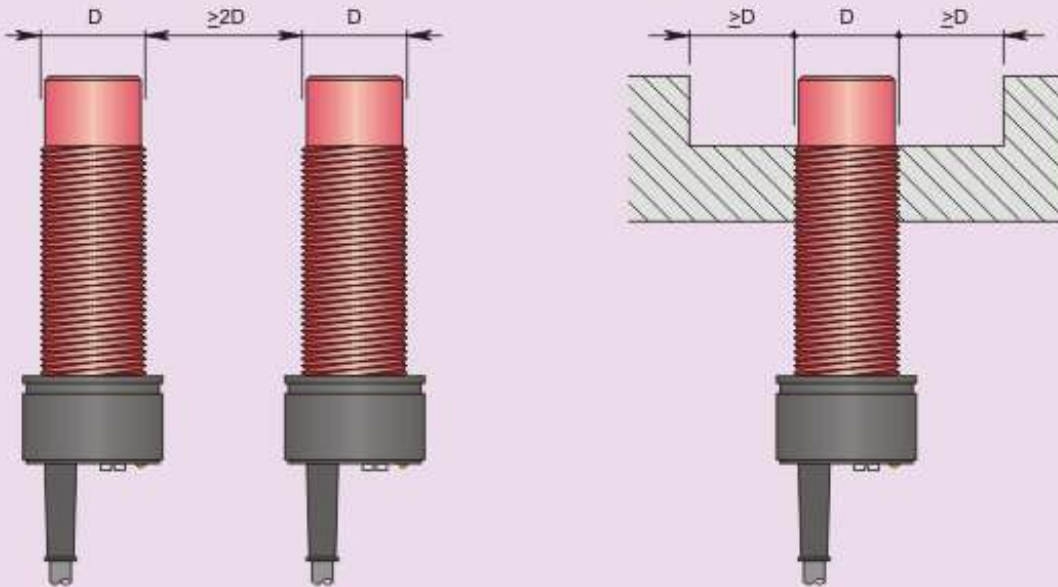
### 5 WIRES CABLE



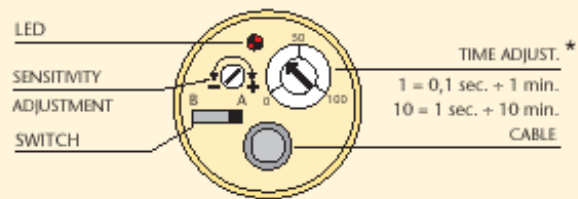
## INSTRUCTIONS FOR CORRECT INSTALLATION

### INSTRUCTIONS FOR CORRECT INSTALLATION

#### NOT EMBEDDABLE



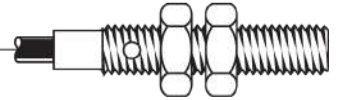
## BACK VIEW



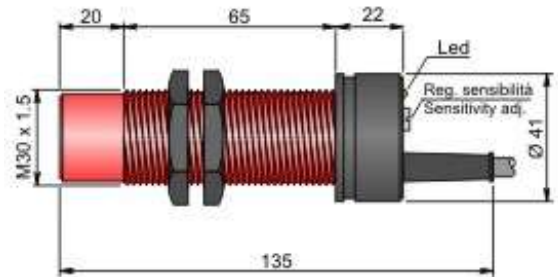
\* The 100 on the time regulation trimmer scale corresponds to the full scale of the time range of the sensor.

**PROGRAMMABLE FUNCTION TABLE**

FUNCTION	SWITCH POS.	RELAY OUTPUT WIRES COLOUR
TE NO	B	Red / Black
TE NC	A	Red / Black
TD NO	A	Red / White
TD NC	B	Red / White



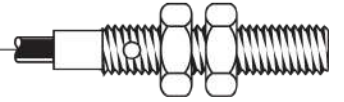
**Part number: C3000006 - Model: SC30P-RE25 T10'**



Dimension in mm

### TECHNICAL CHARACTERISTICS

Working voltage:	12 ÷ 240 Vac/dc
Output type:	AC/DC
Function:	Relay
Actuation type:	Delayed
Delay range (min):	0 ÷ 10
Sensing distance (mm):	0 ÷ 25 (adjustable)
Hysteresis (%Sn):	Depends on the switching distance
Max switching frequency:	Depends on delay
Repeatability (%Sn):	< 1
Max output current:	1 A @ 220 Vac
Absorption:	< 20 mA @ relay activated
Led indicator:	Present
Shielding:	Not embeddable
Mechanical characteristics:	M30x1.5
Housing material:	Black plastic
Connection type:	Cable 2 m
Cable type:	5x0.35 PVC
Temperature limits:	-20 ÷ +70 �C
IP rating:	IP 65
Weight:	270 g



Part number: C3000006 - Model: SC30P-RE25 T10'

## WIRING DIAGRAM

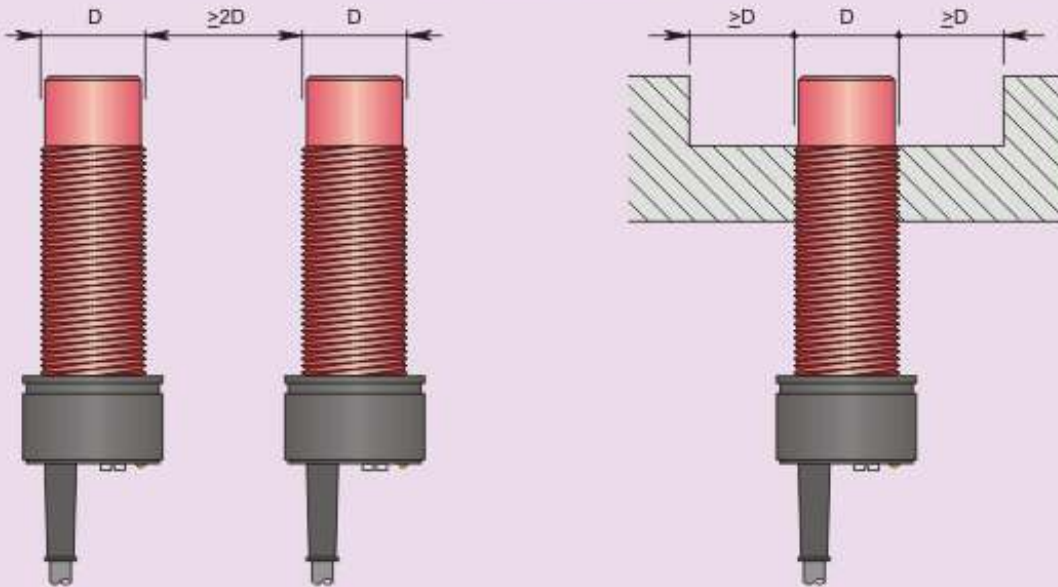
### 5 WIRES CABLE



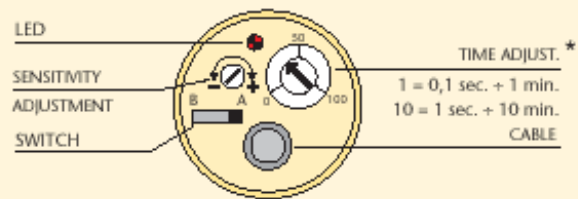
## INSTRUCTIONS FOR CORRECT INSTALLATION

### INSTRUCTIONS FOR CORRECT INSTALLATION

#### NOT EMBEDDABLE



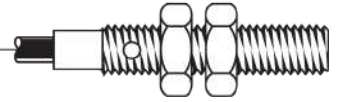
## BACK VIEW



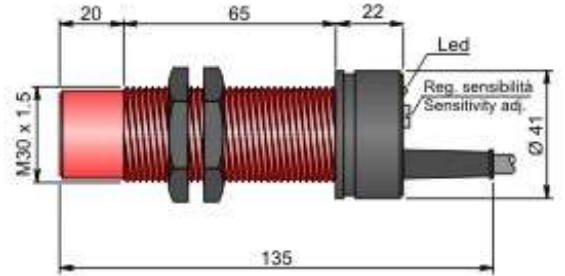
\* The 100 on the time regulation trimmer scale corresponds to the full scale of the time range of the sensor.

**PROGRAMMABLE FUNCTION TABLE**

FUNCTION	SWITCH POS.	RELAY OUTPUT WIRES COLOUR
TE NO	B	Red / Black
TE NC	A	Red / Black
TD NO	A	Red / White
TD NC	B	Red / White



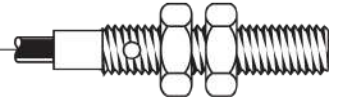
**Part number: C3000010 - Model: SC30P-RE25 T10' LC10**



Dimension in mm

### TECHNICAL CHARACTERISTICS

Working voltage:	12 ÷ 240 Vac/dc
Output type:	AC/DC
Function:	Relay
Actuation type:	Delayed
Delay range (min):	0 ÷ 10
Sensing distance (mm):	0 ÷ 25 (adjustable)
Hysteresis (%Sn):	Depends on the switching distance
Max switching frequency:	Depends on delay
Repeatability (%Sn):	< 1
Max output current:	1 A @ 220 Vac
Absorption:	< 20 mA @ relay activated
Led indicator:	Present
Shielding:	Not embeddable
Mechanical characteristics:	M30x1.5
Housing material:	Black plastic
Connection type:	Cable 10 m
Cable type:	5x0.35 PVC
Temperature limits:	-20 ÷ +70 °C
IP rating:	IP 65
Weight:	700 g



Part number: C30000010 - Model: SC30P-RE25 T10' LC10

## WIRING DIAGRAM

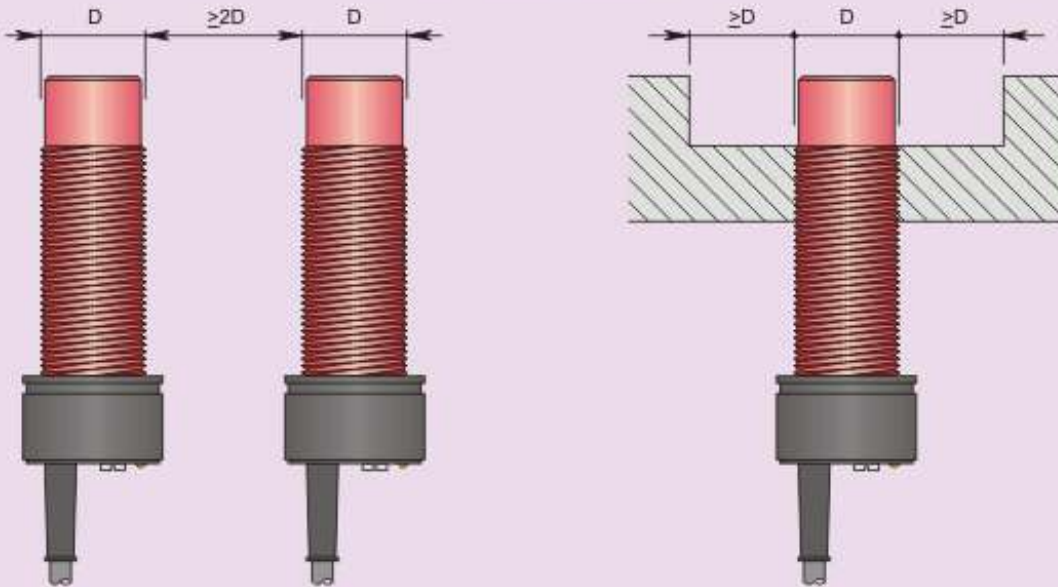
### 5 WIRES CABLE



## INSTRUCTIONS FOR CORRECT INSTALLATION

### INSTRUCTIONS FOR CORRECT INSTALLATION

#### NOT EMBEDDABLE

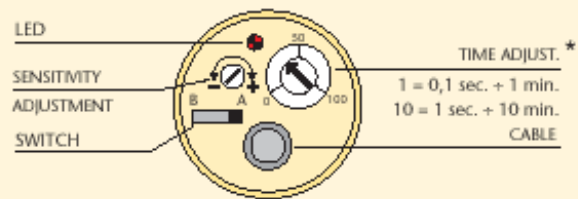


Side by side mounting

Non flush mounting



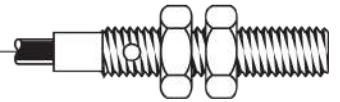
## BACK VIEW



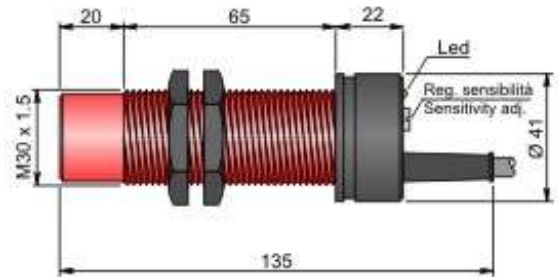
\* The 100 on the time regulation trimmer scale corresponds to the full scale of the time range of the sensor.

**PROGRAMMABLE FUNCTION TABLE**

FUNCTION	SWITCH POS.	RELAY OUTPUT WIRES COLOUR
TE NO	B	Red / Black
TE NC	A	Red / Black
TD NO	A	Red / White
TD NC	B	Red / White



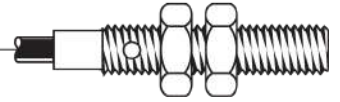
**Part number: C3000008 - Model: SC30P-RE25 T10' LC5**



Dimension in mm

### TECHNICAL CHARACTERISTICS

Working voltage:	12 ÷ 240 Vac/dc
Output type:	AC/DC
Function:	Relay
Actuation type:	Delayed
Delay range (min):	0 ÷ 10
Sensing distance (mm):	0 ÷ 25 (adjustable)
Hysteresis (%Sn):	Depends on the switching distance
Max switching frequency:	Depends on delay
Repeatability (%Sn):	< 1
Max output current:	1 A @ 220 Vac
Absorption:	< 20 mA @ relay activated
Led indicator:	Present
Shielding:	Not embeddable
Mechanical characteristics:	M30x1.5
Housing material:	Black plastic
Connection type:	Cable 5 m
Cable type:	5x0.35 PVC
Temperature limits:	-20 ÷ +70 °C
IP rating:	IP 65
Weight:	430 g



Part number: C3000008 - Model: SC30P-RE25 T10' LC5

## WIRING DIAGRAM

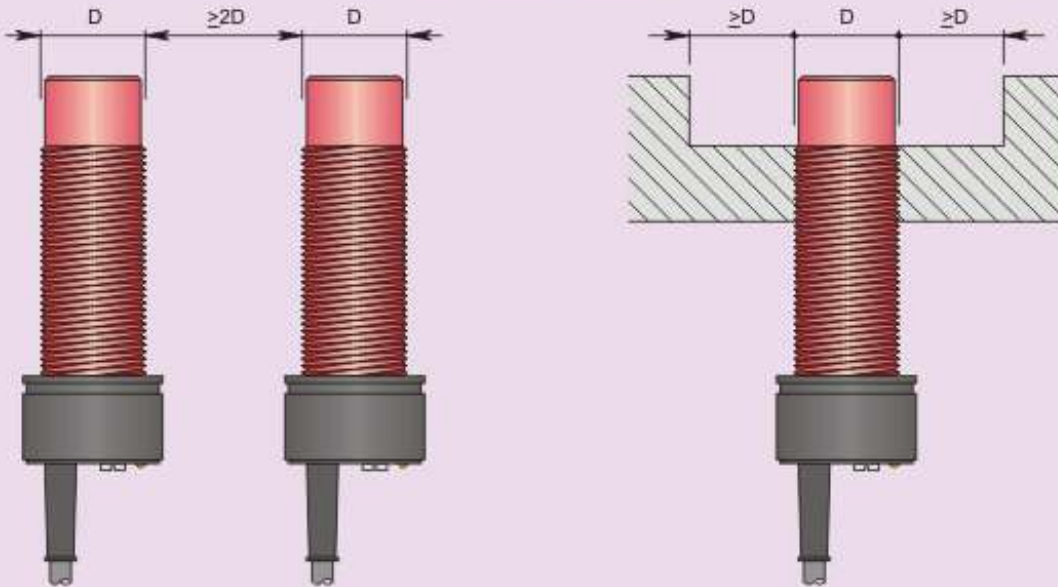
### 5 WIRES CABLE



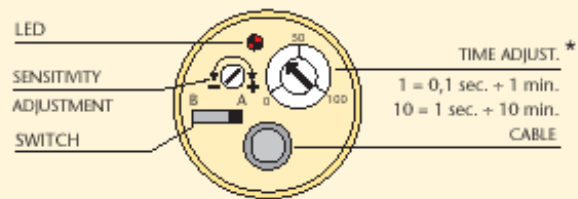
## INSTRUCTIONS FOR CORRECT INSTALLATION

### INSTRUCTIONS FOR CORRECT INSTALLATION

#### NOT EMBEDDABLE



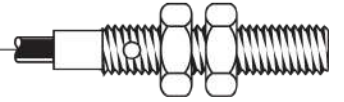
## BACK VIEW



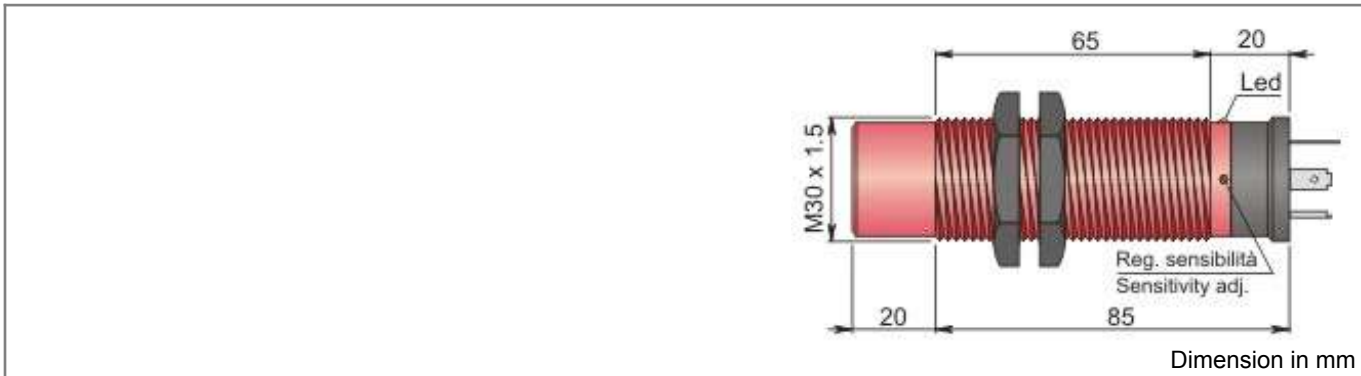
\* The 100 on the time regulation trimmer scale corresponds to the full scale of the time range of the sensor.

**PROGRAMMABLE FUNCTION TABLE**

FUNCTION	SWITCH POS.	RELAY OUTPUT WIRES COLOUR
TE NO	B	Red / Black
TE NC	A	Red / Black
TD NO	A	Red / White
TD NC	B	Red / White

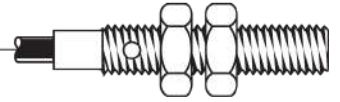


**Part number: CAP000042 - Model: SC30P-CE25 PNP NO+NC K**



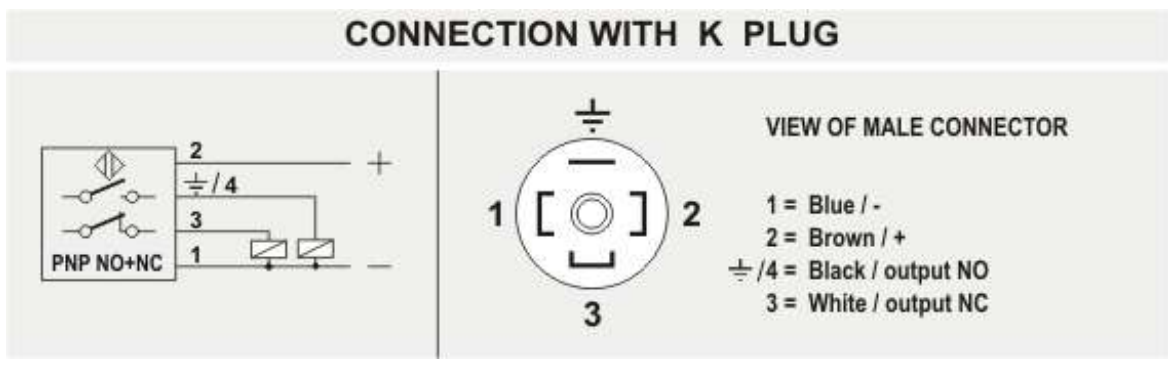
**TECHNICAL CHARACTERISTICS**

Working voltage:	10 ÷ 55 Vdc
Output type:	DC PNP
Function:	NO+NC
Actuation type:	Instantaneous
Sensing distance (mm):	0 ÷ 25 (adjustable)
Hysteresis (%Sn):	Depends on the switching distance
Max switching frequency:	10 Hz
Repeatability (%Sn):	< 1
Max output current:	300 mA
Absorption:	< = 10 mA @ 24Vdc
Voltage drop:	< 1.8 V
Short circuit protection:	Present
Led indicator:	Present
Shielding:	Not embeddable
Mechanical characteristics:	M30x1.5
Housing material:	Black plastic
Connection type:	K plug
Temperature limits:	-20 ÷ +70 °C
IP rating:	IP 65
Weight:	140 g



**Part number: CAP000042 - Model: SC30P-CE25 PNP NO+NC K**

**WIRING DIAGRAM**



**INSTRUCTIONS FOR CORRECT INSTALLATION**

