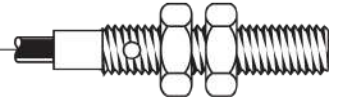


Part number: CLC000009 - Model: SC-F2000 24Vac



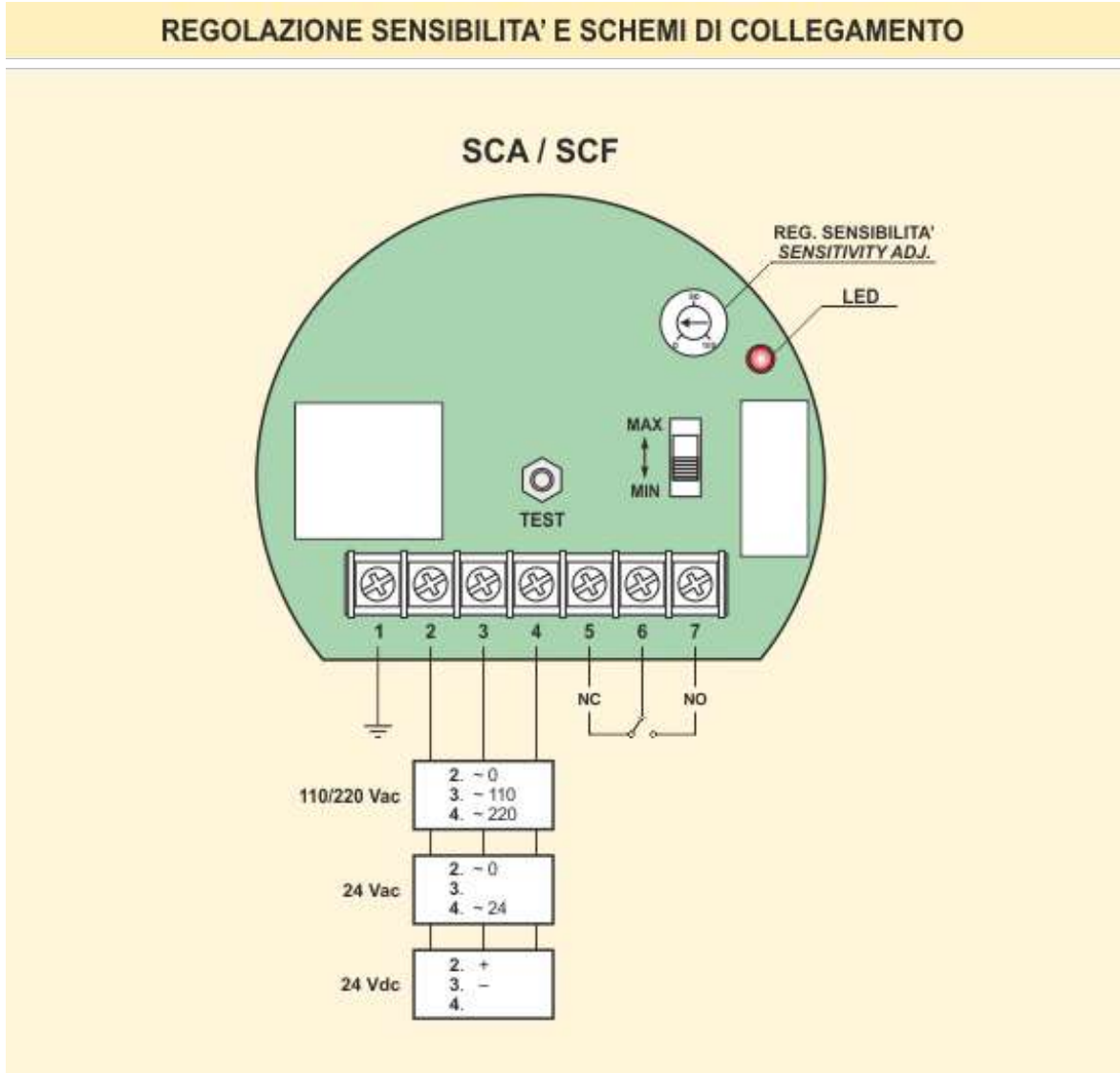
TECHNICAL CHARACTERISTICS

Working voltage:	24 Vac
Output type:	AC Relay
Function:	Changeover relay
Max. output current:	5 A @ 220 Vac
Absorption:	2,5 VA
Housing material:	Aluminium
Temperature limits:	-20 ÷ +60 °C
IP rating:	IP 65
Weight:	2400 g
Threaded fixing:	1 1/2 inc GAS
Max. tank pressure:	12 Kg / cmq
Steel cable lenght:	2000

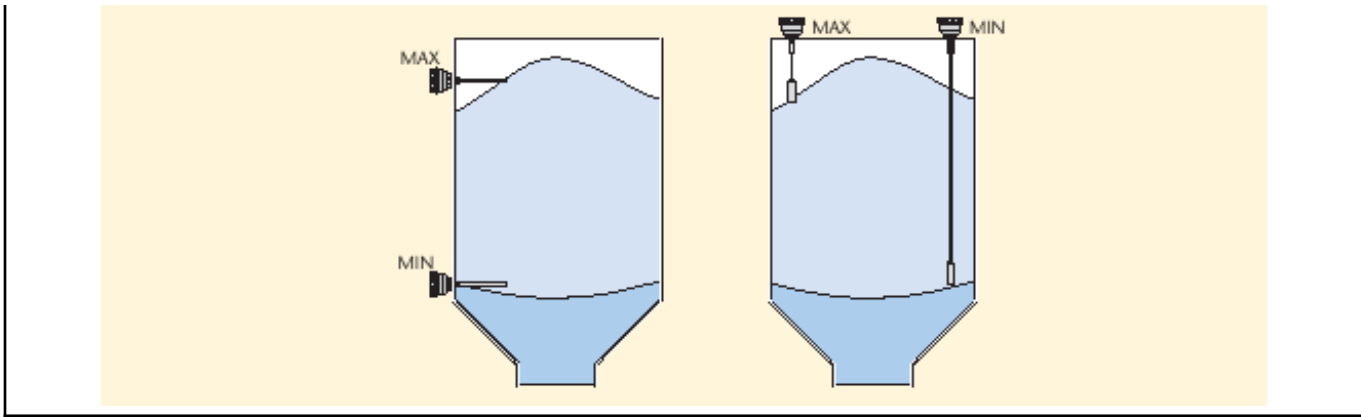


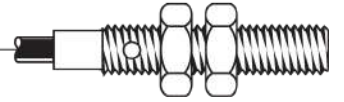
Part number: CLC000009 - Model: SC-F2000 24Vac

WIRING DIAGRAM



INSTRUCTIONS FOR CORRECT INSTALLATION



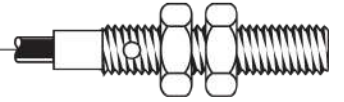


Part number: CLC000010 - Model: SC-F2000 110/220Vac



TECHNICAL CHARACTERISTICS

Working voltage:	110 / 220 Vac
Output type:	AC Relay
Function:	Changeover relay
Max. output current:	5 A @ 220 Vac
Absorption:	2,5 VA
Housing material:	Aluminium
Temperature limits:	-20 ÷ +60 °C
IP rating:	IP 65
Weight:	2400 g
Threaded fixing:	1 1/2 inc GAS
Max. tank pressure:	12 Kg / cmq
Steel cable lenght:	2000

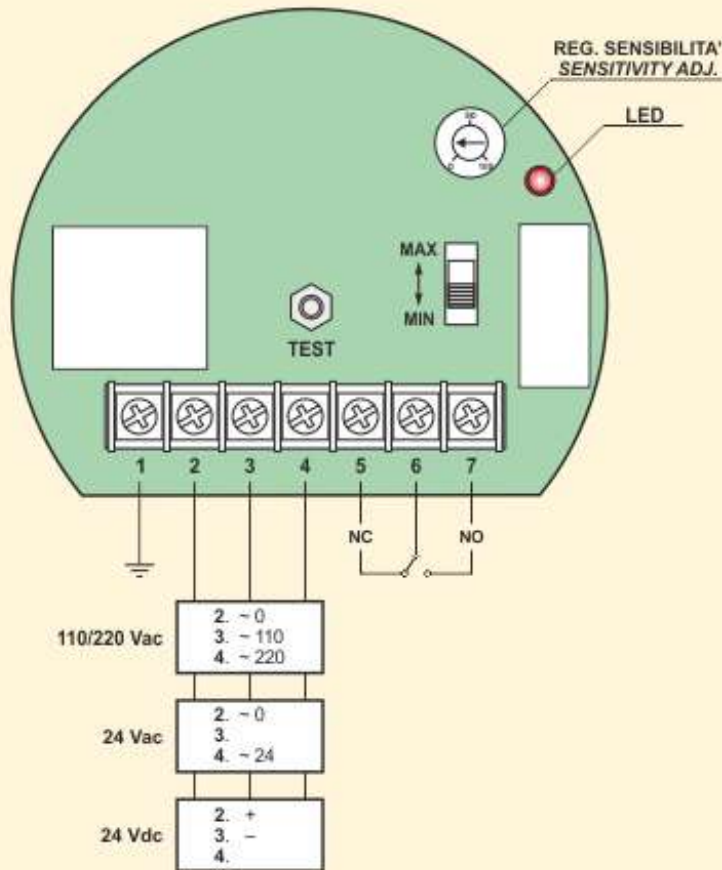


Part number: CLC000010 - Model: SC-F2000 110/220Vac

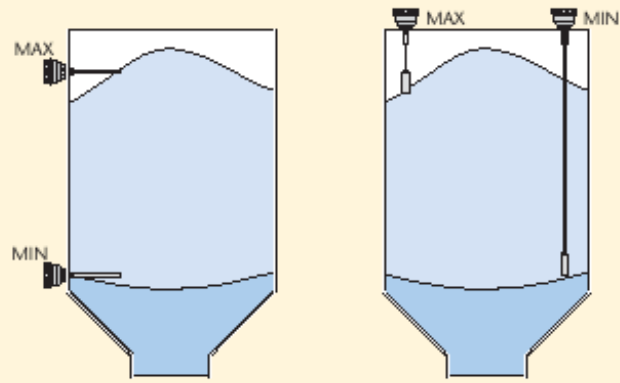
WIRING DIAGRAM

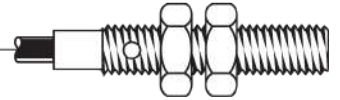
REGOLAZIONE SENSIBILITA' E SCHEMI DI COLLEGAMENTO

SCA / SCF



INSTRUCTIONS FOR CORRECT INSTALLATION



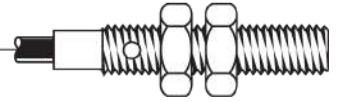


Part number: CLC000011 - Model: SC-F3000 24Vac



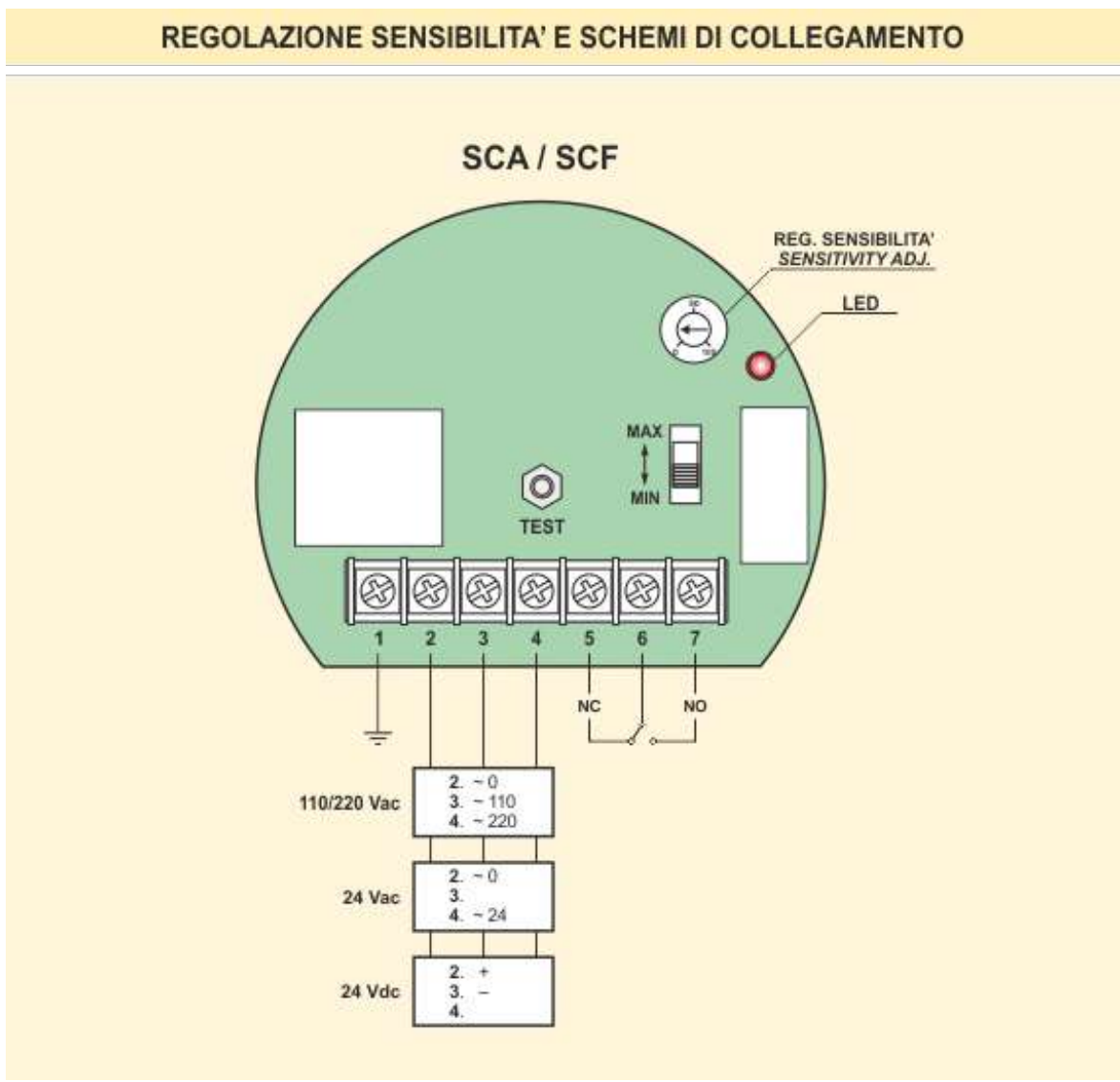
TECHNICAL CHARACTERISTICS

Working voltage:	24 Vac
Output type:	AC Relay
Function:	Changeover relay
Max. output current:	5 A @ 220 Vac
Absorption:	2,5 VA
Housing material:	Aluminium
Temperature limits:	-20 ÷ +60 °C
IP rating:	IP 65
Weight:	2500 g
Threaded fixing:	1 1/2 inhc GAS
Max. tank pressure:	12 Kg / cmq
Steel cable lenght:	3000

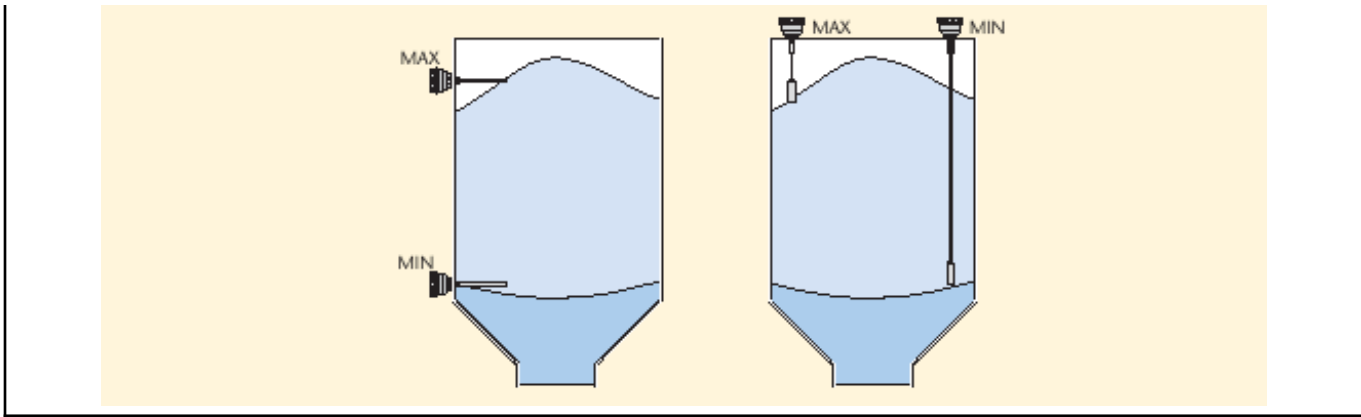


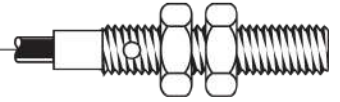
Part number: CLC000011 - Model: SC-F3000 24Vac

WIRING DIAGRAM



INSTRUCTIONS FOR CORRECT INSTALLATION



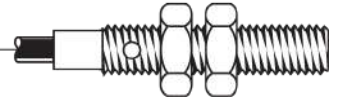


Part number: CLC000012 - Model: SC-F3000 110/220Vac



TECHNICAL CHARACTERISTICS

Working voltage:	110 / 220 Vac
Output type:	AC Relay
Function:	Changeover relay
Max. output current:	5 A @ 220 Vac
Absorption:	2,5 VA
Housing material:	Aluminium
Temperature limits:	-20 ÷ +60 °C
IP rating:	IP 65
Weight:	2500 g
Threaded fixing:	1 1/2 inhc GAS
Max. tank pressure:	12 Kg / cmq
Steel cable lenght:	3000

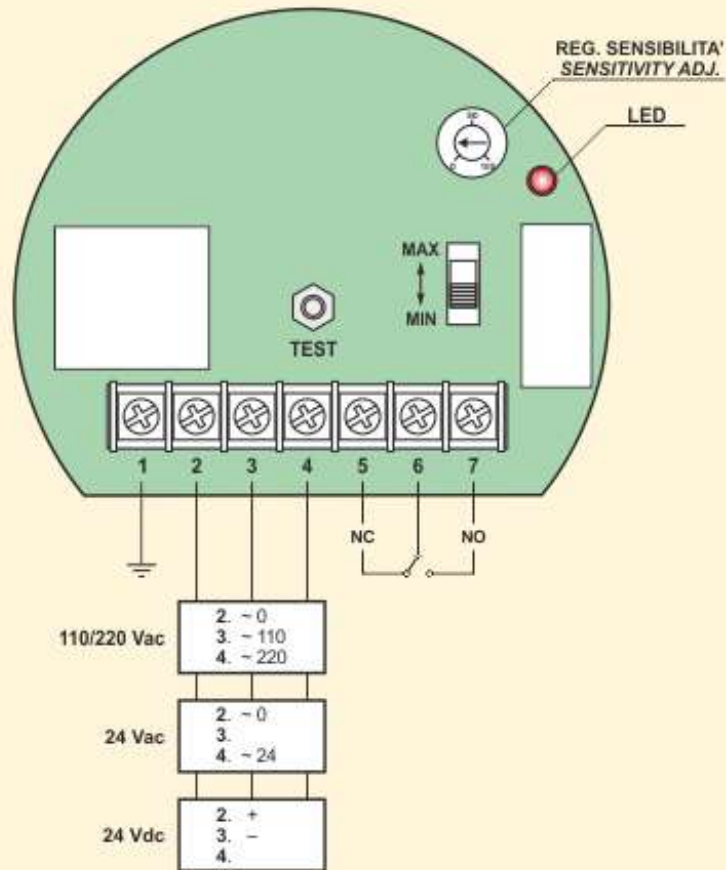


Part number: CLC000012 - Model: SC-F3000 110/220Vac

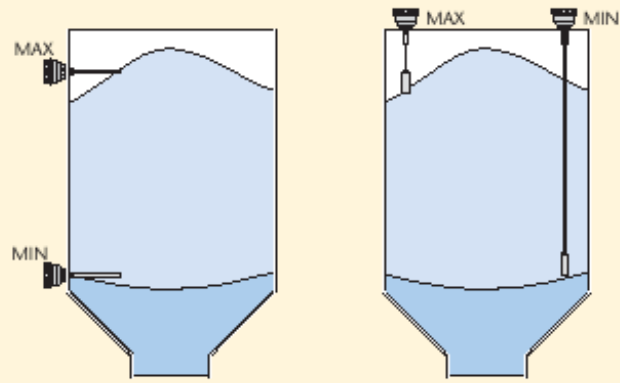
WIRING DIAGRAM

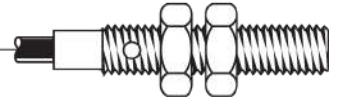
REGOLAZIONE SENSIBILITA' E SCHEMI DI COLLEGAMENTO

SCA / SCF



INSTRUCTIONS FOR CORRECT INSTALLATION



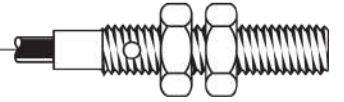


Part number: CLC000007 - Model: SC-F1000 24Vac



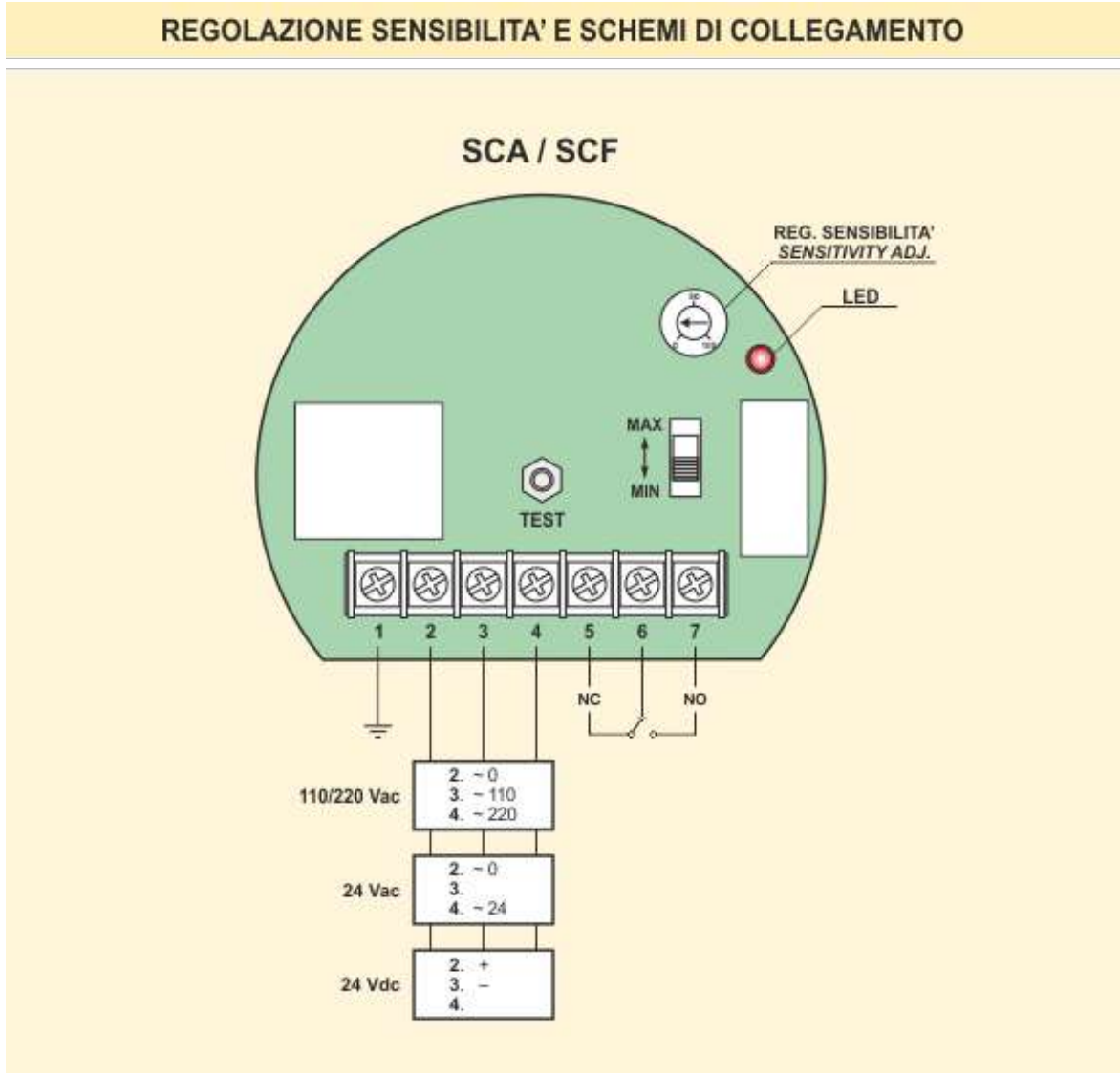
TECHNICAL CHARACTERISTICS

Working voltage:	24 Vac
Output type:	AC Relay
Function:	Changeover relay
Max. output current:	5 A @ 220 Vac
Absorption:	2,5 VA
Housing material:	Aluminium
Temperature limits:	-20 ÷ +60 °C
IP rating:	IP 65
Weight:	2300 g
Threaded fixing:	1 1/2 inc GAS
Max. tank pressure:	12 Kg / cmq
Steel cable lenght:	1000

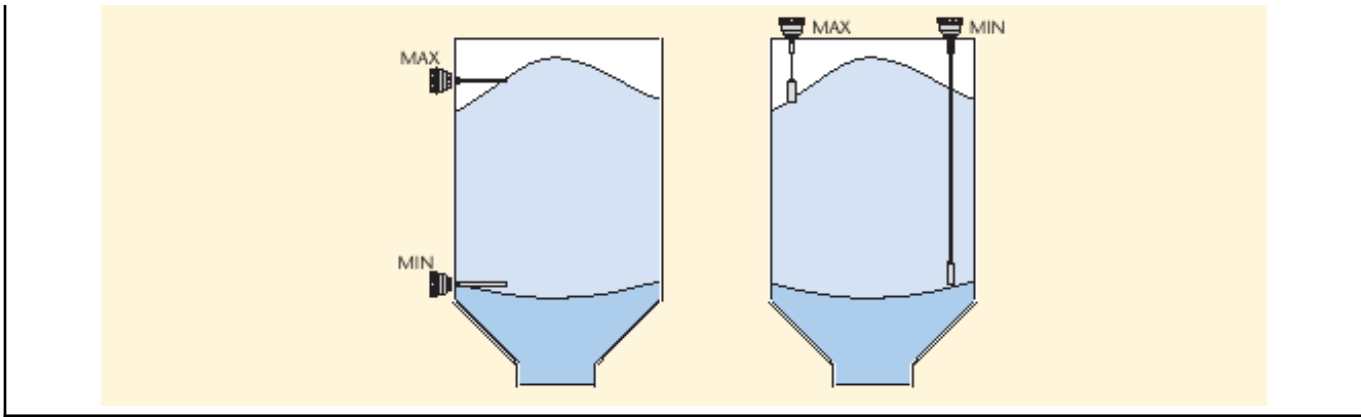


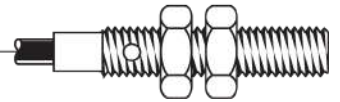
Part number: CLC000007 - Model: SC-F1000 24Vac

WIRING DIAGRAM



INSTRUCTIONS FOR CORRECT INSTALLATION



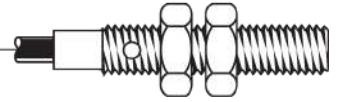


Part number: CLC000013 - Model: SC-F4000 24Vac



TECHNICAL CHARACTERISTICS

Working voltage:	24 Vac
Output type:	AC Relay
Function:	Changeover relay
Max. output current:	5 A @ 220 Vac
Absorption:	2,5 VA
Housing material:	Aluminium
Temperature limits:	-20 ÷ +60 °C
IP rating:	IP 65
Weight:	2500 g
Threaded fixing:	1 1/2 inhc GAS
Max. tank pressure:	12 Kg / cmq
Steel cable lenght:	4000

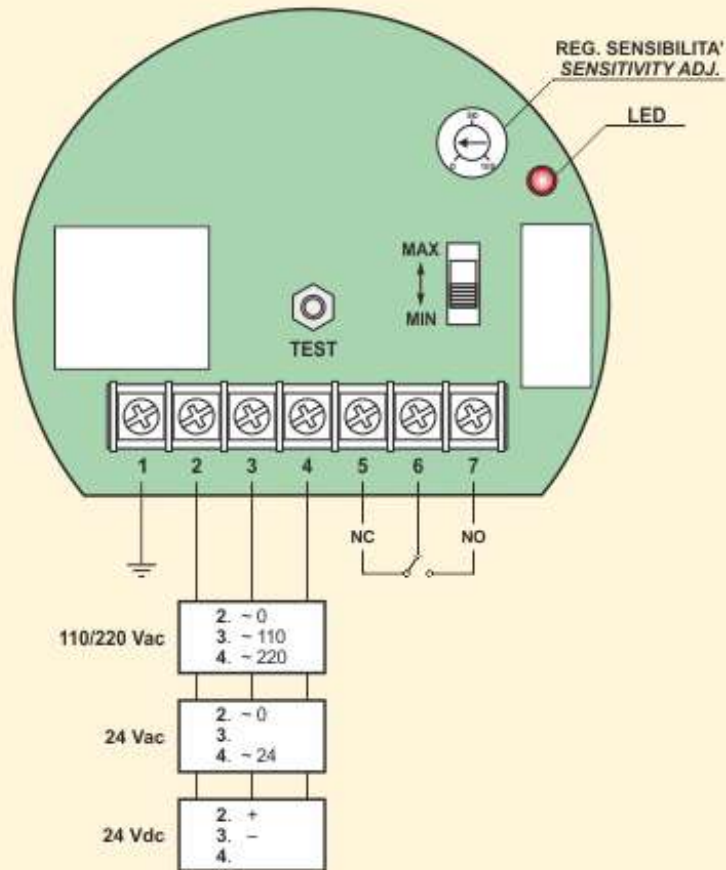


Part number: CLC000013 - Model: SC-F4000 24Vac

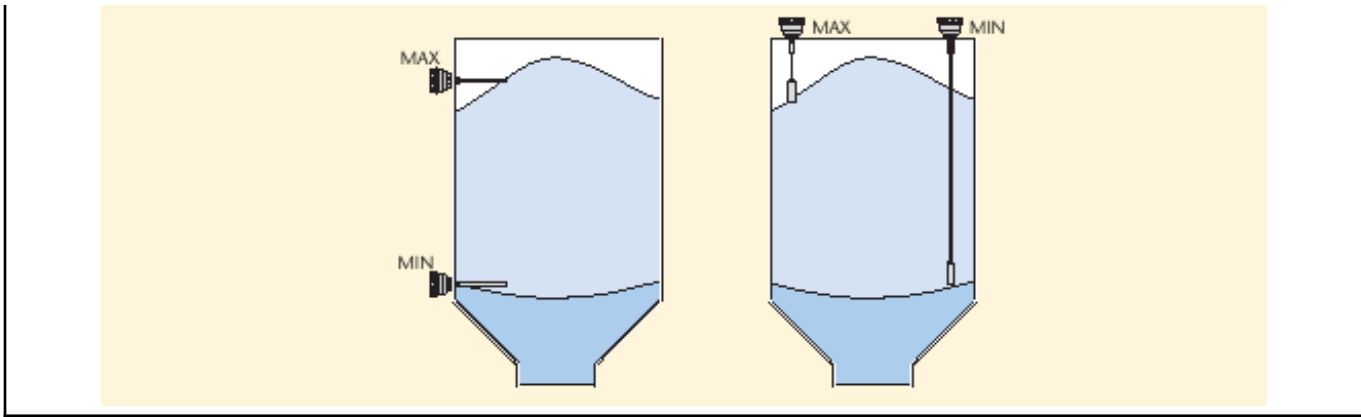
WIRING DIAGRAM

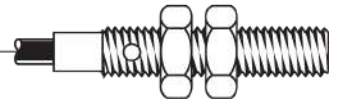
REGOLAZIONE SENSIBILITA' E SCHEMI DI COLLEGAMENTO

SCA / SCF



INSTRUCTIONS FOR CORRECT INSTALLATION





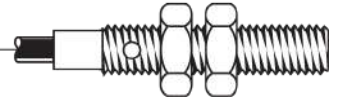
Part number: CLC000014 - Model: SC-F4000 110/220Vac



Dimension in mm

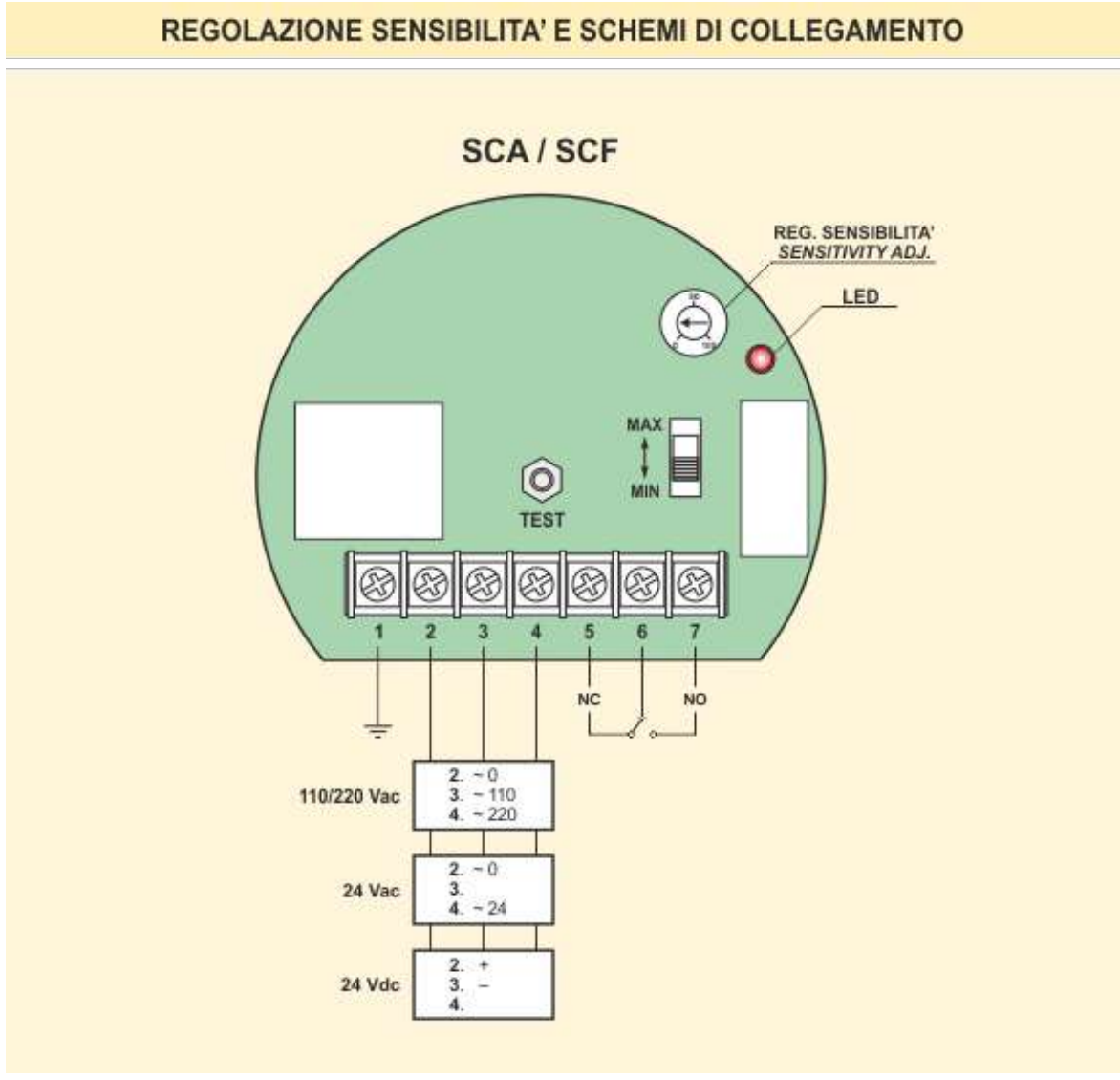
TECHNICAL CHARACTERISTICS

Working voltage:	110 / 220 Vac
Output type:	AC Relay
Function:	Changeover relay
Max. output current:	5 A @ 220 Vac
Absorption:	2,5 VA
Housing material:	Aluminium
Temperature limits:	-20 ÷ +60 °C
IP rating:	IP 65
Weight:	2500 g
Threaded fixing:	1 1/2 inhc GAS
Max. tank pressure:	12 Kg / cmq
Steel cable lenght:	4000

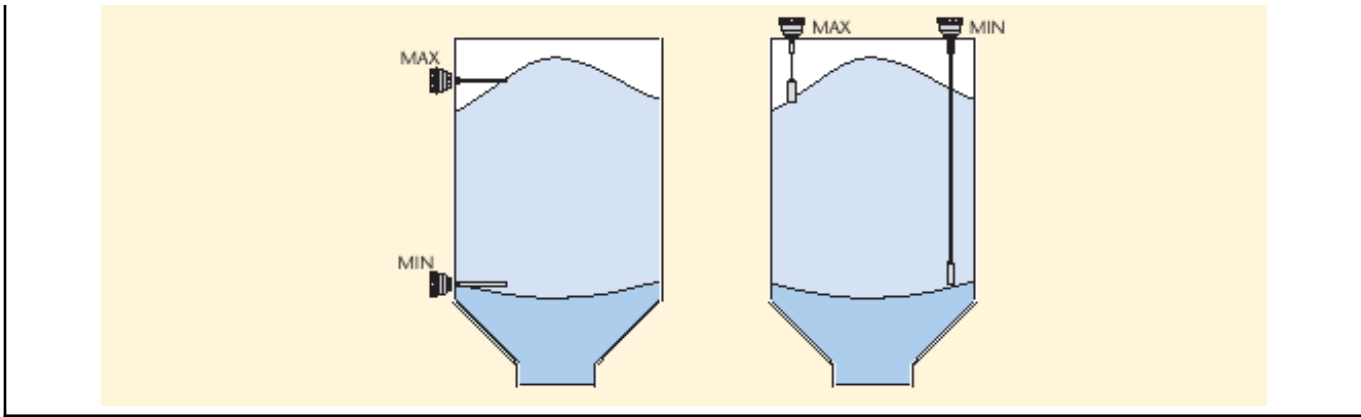


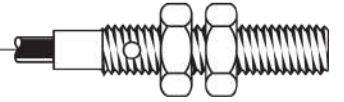
Part number: CLC000014 - Model: SC-F4000 110/220Vac

WIRING DIAGRAM



INSTRUCTIONS FOR CORRECT INSTALLATION



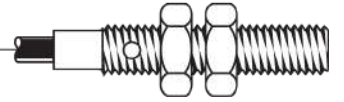


Part number: CLC000008 - Model: SC-F1000 110/220Vac



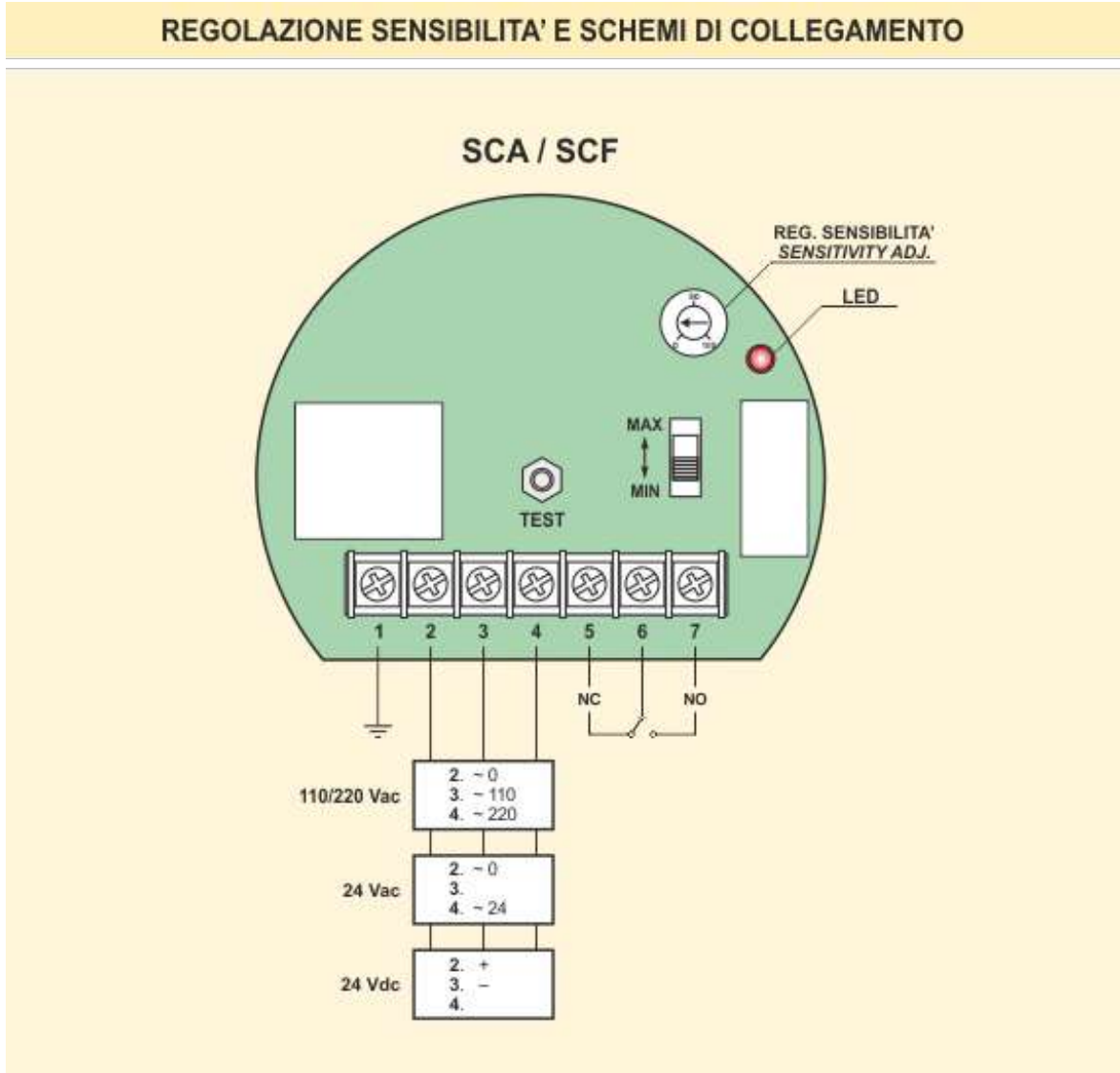
TECHNICAL CHARACTERISTICS

Working voltage:	110 / 220 Vac
Output type:	AC Relay
Function:	Changeover relay
Max. output current:	5 A @ 220 Vac
Absorption:	2,5 VA
Housing material:	Aluminium
Temperature limits:	-20 ÷ +60 °C
IP rating:	IP 65
Weight:	2300 g
Threaded fixing:	1 1/2 inc GAS
Max. tank pressure:	12 Kg / cmq
Steel cable lenght:	1000



Part number: CLC000008 - Model: SC-F1000 110/220Vac

WIRING DIAGRAM



INSTRUCTIONS FOR CORRECT INSTALLATION

