

Monitoring Technique

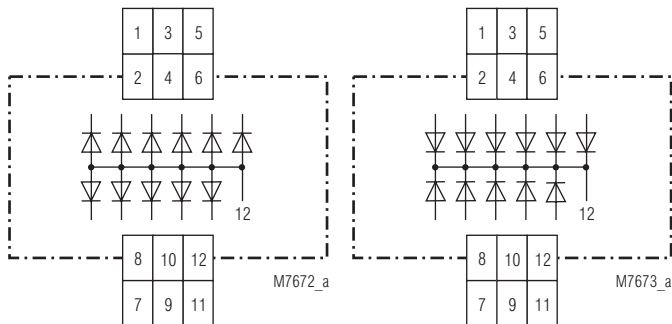
INFOMASTER
Lamp Tester
MK 9994, MK 9995

Translation
of the original instructions



- For max. 11 indicator lamps
- Width 22.5 mm

Circuit Diagrams



MK 9994

MK 9995

Standard Types

MK 9994
Article number: 0012938
MK 9995
Article number: 0015889
• Width: 22.5 mm

Ordering example for variants

MK 9994 / _ _ _
Variant, if required
Type

Approvals and Markings



Application

The lamp tester contains a diode group with either common anode or cathode. It blocks one lamp from the other in order to avoid influence. On AC-operation the lamps are only half illuminated.

Technical Data

Nominal voltage: AC 250 V

Data of diods

Current per output: 0.6 A at 100 % ED 1 A max. 3 min.
Periodical peak reverse voltage: 1 000 V
Peak surge voltage: 1 200 V
Peak surge voltage power dissipation: 1.0 kW for 10 µs
Max. peak current: 50 A for 10 ms
Periodical peak voltage: 1 100 V

General Data

Operating mode: Continuous operation
Temperature range: - 20 ... + 60°C
Degree of protection
Housing: IP 40 IEC/EN 60529
Terminals: IP 20 IEC/EN 60529
Housing: Thermoplastic with V0 behaviour to UL subject 94
Vibration resistance: 0,35 mm Amplitude, frequency 10 ... 55 Hz IEC/EN 60068-2-6 20 / 060 / 04 IEC/EN 60068-1 EN 50005
Climate resistance:
Terminal designation: EN 50005
Wire connection: 2 x 1.5 mm² solid or 2 x 1.0 mm² stranded wire with sleeve DIN 46228-1/-2/-3/-4
Wire fixing: Flat terminals with self lifting clamping piece IEC/EN 60999-1
Mounting: DIN rail IEC/EN 60715
Weight: 80 g

Dimensions

Width x height x depth: 22.5 x 82 x 99 mm

