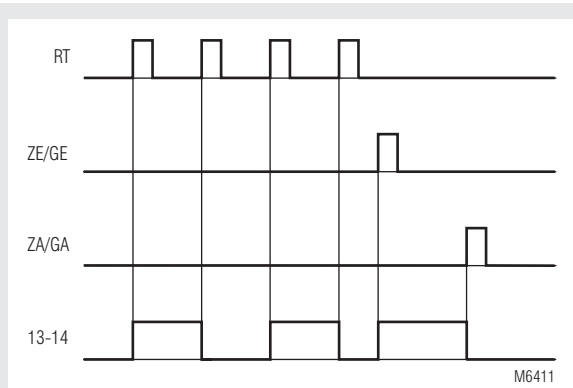




- According to IEC/EN 60 669
- Possible connection to different phases of:
A1, ZE / ZA, GE / GA
- Pushbutton for manual actuation of the contacts
- Operating position display
- Optionally with 1 or 2 NO contacts
- Max. glow lamp load 4 mA
- Width 55 mm

Function Diagram



Approvals and Markings

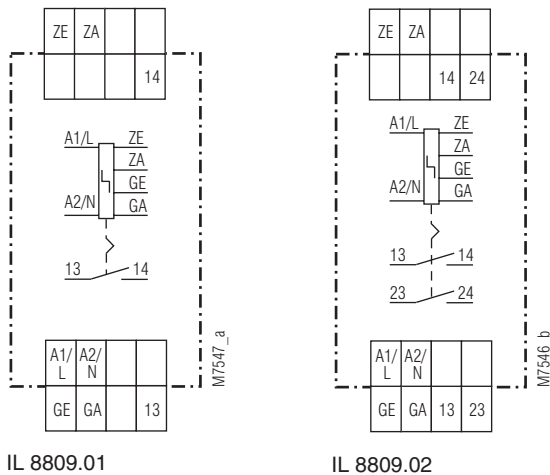


Function

- The following functions can be carried out with the remote switch IL 8809:
- The individual consumers (loads) are switched via the room pushbutton (A1).
 - All consumers can be switched on and off from a central location via ZE / ZA.
 - Groups of consumers can be switched on and off via GE / GA.

The following can be connected to different phases:
A1, ZE / ZA, GE / GA (see connection example)

Circuit Diagrams



Notes

- It is essential to connect N to the neutral wire
- The central switch is only designed for pulse operation!
- Maximum switching-on time in
Fault operation: 100 %
Recovery time: About 30 s

Technical Data

Input

Nominal voltage U_N:	AC 24 V, 230 V Other voltages available on request
Voltage range:	0.9 ... 1.1 U_N
Nominal consumption:	Actual power 11 W
Nominal frequency:	50 or 60 Hz
Frequency range:	± 5 %
Glow lamps parallel to the pushbutton:	Max. 8 pieces at 0.5 mA
Max. interference voltage at the inputs:	2.5 kV
Min. switching-on time:	50 ms

Output

Contacts	
IL 8809.01:	1 NO contact
IL 8809.02:	2 NO contacts
Nominal output voltage:	AC 230 V / 400 V
Fluorescent lamp load:	20 x 58 W, uncompensated 2 x 20 / 58 W, duo switching 5 x 10 ⁴ switching cycles (duo switching)
Bulb load:	1500 W, 5 x 10 ⁴ switching cycles
Thermal current I_{th}:	16 A
Switching frequency:	1000 / h
Short circuit strength	
max. fuse rating:	16 A gG / gL IEC/EN 60947-5-1
Mechanical life:	> 5 x 10 ⁵ switch.cycl. IEC/EN 60947-5-1

Technical Data

General Data

Operating mode:	Pulse operation	
Temperature range:	- 20 ... + 45°C	
Clearance and creepage distances		
Rated impulse voltage/ pollution degree:	4 kV / 2	IEC 60664-1
Degree of protection		
Housing:	IP 30	IEC/EN 60529
Terminals:	IP 20	IEC/EN 60529
Housing:	Thermoplastic with V0 behaviour according to UL subject 94	
Vibration resistance:	Amplitude 0.35 mm frequency 10 ... 55 Hz IEC/EN 60068-2-6	
Climate resistance:	Humid heat IEC/EN 60068-2-30	
Terminal designation:	EN 50005	
Wire connection:	1 x 2.5 mm ² solid or 2 x 1.5 mm ² stranded ferruled DIN 46228-1/-2/-3/-4 or 2 x 1 mm ² stranded ferruled DIN 46228-1/-2/-3/-4	
Wire fixing:	Flat terminals with self-lifting clamping piece IEC/EN 60999-1	
Mounting:	DIN rail IEC/EN 60715	
Weight:	150 g	

Dimensions

Width x height x depth: 35 x 89 x 58 mm

Standard Type

IL 8809.01 AC 230 V 50 Hz

Article number:	0046621
• Output:	1 NO contact
• Nominal voltage U_N :	AC 230 V
• Width:	35 mm

Ordering Example

IL 8809	.01	AC 230 V	50 Hz	
				Nominal frequency
				Nominal voltage
				Contacts
				Type

Connection example

