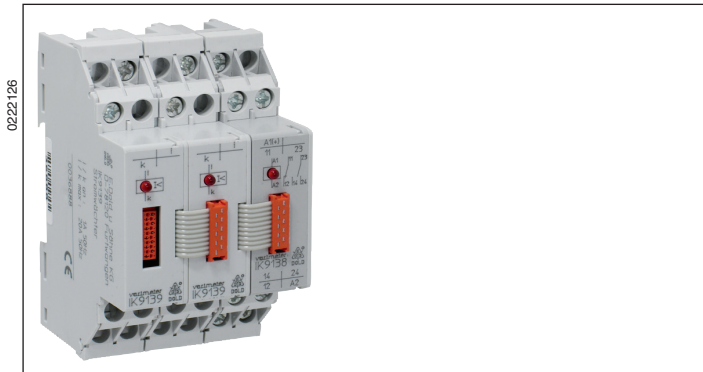


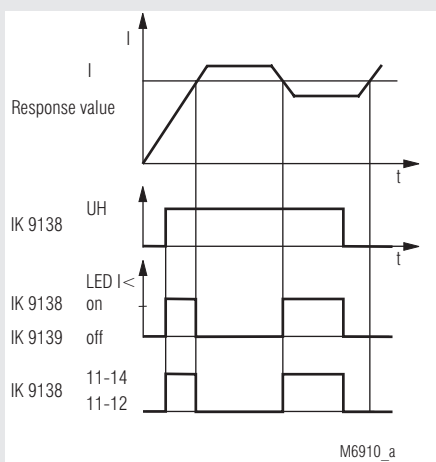
VARIMETER Current Monitoring System IK 9138, IK 9139

Translation
of the original instructions



- According to IEC/EN 60255-1
- Modular system, extension possible
- For measuring currents of 0.175 to 6 A
- Small amount of wiring required
- Compact design
- LED display
- Width 17.5 mm

Function Diagram



Approvals and Marking



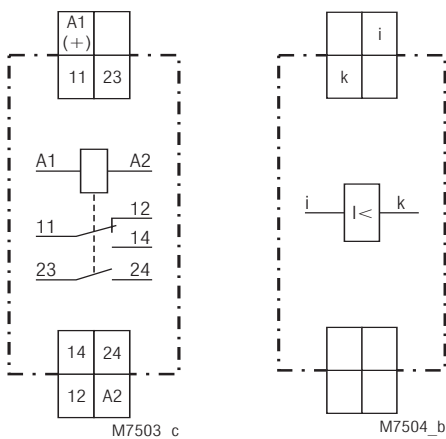
Application

- For monitoring the current consumption levels of different electricity consumers
- For identifying cable breakages and burned-out heating cartridges

Function

The IK 9138 / IK 9139 varimeter is a modular current monitoring system that consists of a reporting unit IK 9138 and 1 to 30 current monitors IK 9139. This means that the current consumption levels of different electricity consumers can be monitored. If one of the currents that is being monitored drops below the fixed current setting, the LEDs on the relevant current monitor and the reporting unit go on. The central reporting relay in the reporting unit is actuated. The reporting unit needs to be connected to an auxiliary voltage supply. The current monitors obtain their supply voltage from the reporting unit via a plug-in bus line.

Circuit Diagrams



IK 9138.20

IK 9139

Indicator

LED: On, when the current drops below the setting

Connection Terminals

Terminal designation	Signal description
A1 (+), A2	Auxiliary voltage AC or DC
i, k	Current measuring circuit AC
11, 12, 14	Changeover contact
23, 24	NO contact

