

# FMM 80

## DIAPHRAGM LIQUID PUMP WITH LINEAR DRIVE



FMM 80 KPDC-P



FMM 80 TTDC-P

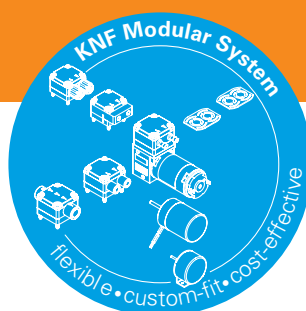
### ADVANTAGES

- Long service life
- Adjustable dispense volume 30-80  $\mu$ l
- Large flow range
- Flow tight in both directions
- Pressure stable
- High chemical resistance
- Self priming
- Quiet running
- Maintenance-free

### POSSIBLE AREAS OF USE

- Medical diagnostics
- Industrial dosing systems
- Inkjet printing
- Fuel cells
- Semi conductor industry
- Water analysis

Please visit our website  
[www.knf.com](http://www.knf.com)  
 to get more information.



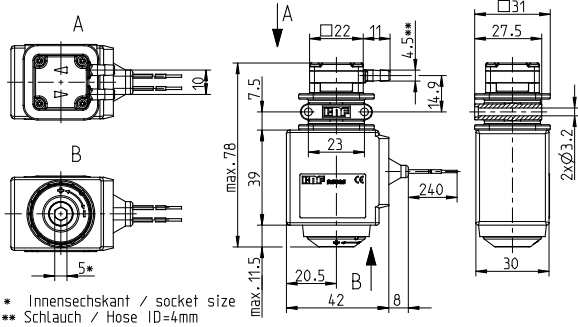
PERFORMANCE DATA		
Series model	FMM 80DC-P	
Material options	KP	TT
Pump head	PP	PVDF
Diaphragm	EPDM	PTFE
Valves	EPDM	FFKM
Nominal stroke volume ( $\mu$ l)	80	
Stroke volume calibration range ( $\mu$ l)	30-80	
Flow rate at 10 Hz (ml/min)	48	
Suction height (mWg)	4	
Pressure head (mWg)	10	
Permissible ambient air ( $^{\circ}$ C)	+5 to +40	
Permissible liquid temperature ( $^{\circ}$ C)	+5 to +80	
Weight (g)	210	
IP protection factor	54	
ELECTRICAL DATA		
Operating voltage (V)	12	24
Max. permissible frequency (Hz)	10	
I load max. (A)	2	1
Mean current consumption at 10 Hz (A)	0.42	0.21
Power consumption at 10 Hz (W)	5	

# FMM 80 DC-P

## PERFORMANCE DATA

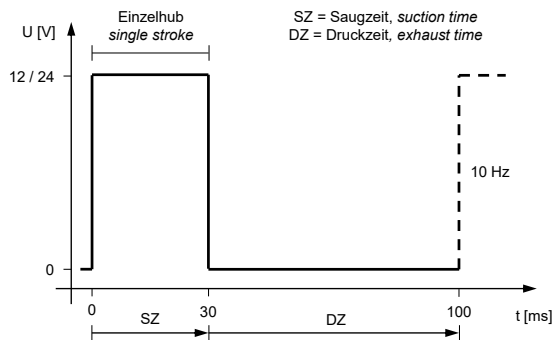
Series model	Nominal stroke volume (µl)	Flow rate at 10 Hz (ml/min)	Suction height (mWS)	Pressure head (mWS)
FMM 80 DC-P	80	48	4	10

## FMM 80 DC-P






Dimensions in mm

## CONTROL SIGNAL (IMPULSE)



OPTIONS		
Description	Illustration	Details
Hydraulic connections		Sideports, compression fittings, internal thread etc.

ACCESSORIES		
Description	Illustration	Details
Diaphragm pressure control valve		The pressure control valve can be used for a more accurate control of flow against a fluctuating back pressure, metering into a vacuum and from a pressurised system.
Pulsation damper		This very versatile pulsation damper reduces the vibration in hoses and pipes and it helps to remove pulsation which is preventing the system from functioning correctly.
Filter		KNF filters protect both pumps and other upstream instrumentation and hydraulic circuits against particulate, crystals and fibres which can improve optimum operation.

The performance values for the series models shown on this data sheet were determined under test conditions. The actual performance values may differ and depend in particular on the usage conditions and therefore on the specific application, on the parameters of the components involved in the user's system and on any technical modifications carried out which deviate from the standard configuration or the as delivered condition.

If individual designs have been created for specific customers on the basis of series models, other technical performance data may apply. Before operation begins, the relevant operating instructions and/or assembly or installation instructions should be read and the safety information contained in these instructions should be noted. KNF reserves the right to make changes to the product and the associated documentation without prior notice to the customer.



[www.knf.com](http://www.knf.com)