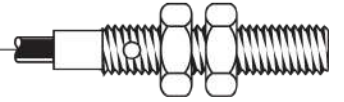


Part number: APL000040 - Model: ALN2 24 Vac/dc



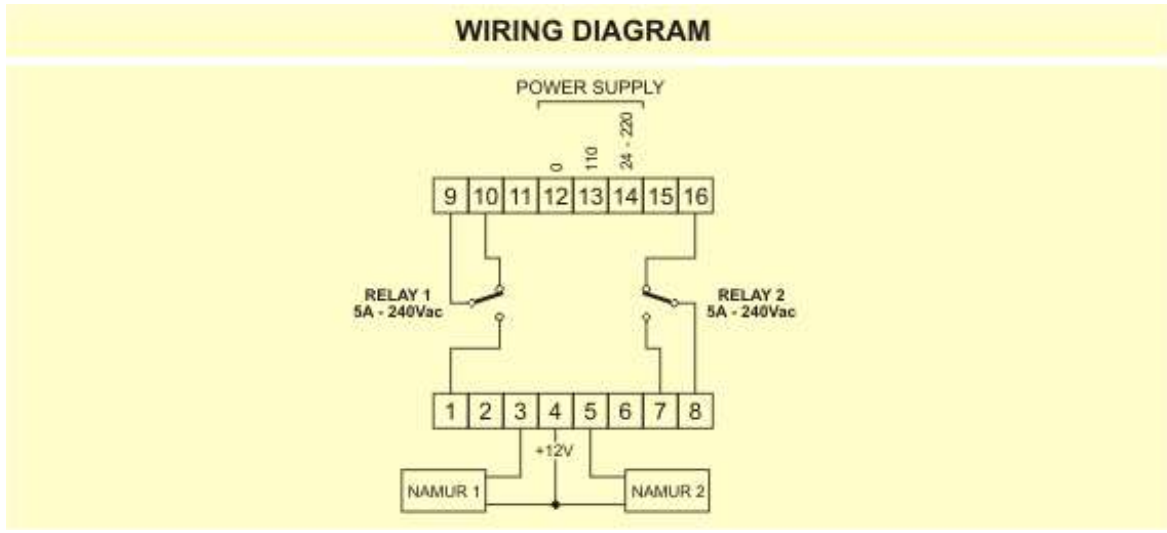
TECHNICAL CHARACTERISTICS

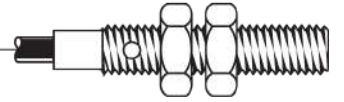
Power supply:	Multivoltage
Working voltage:	24 Vac/dc
Output voltage:	12 Vdc
Output type:	Double changeover relay
N° of sensors to be connected:	2
Absorption:	2 VA
Max. supply current:	50 mA
Max. output current:	5 A @ 240 V
Led indicator:	Red=output / Green=power supply
Temperature limits:	-20 ÷ +60 °C
IP rating:	IP20
Housing material:	Plastic
Weight:	120 g
Mounting:	35 mm DIN rail



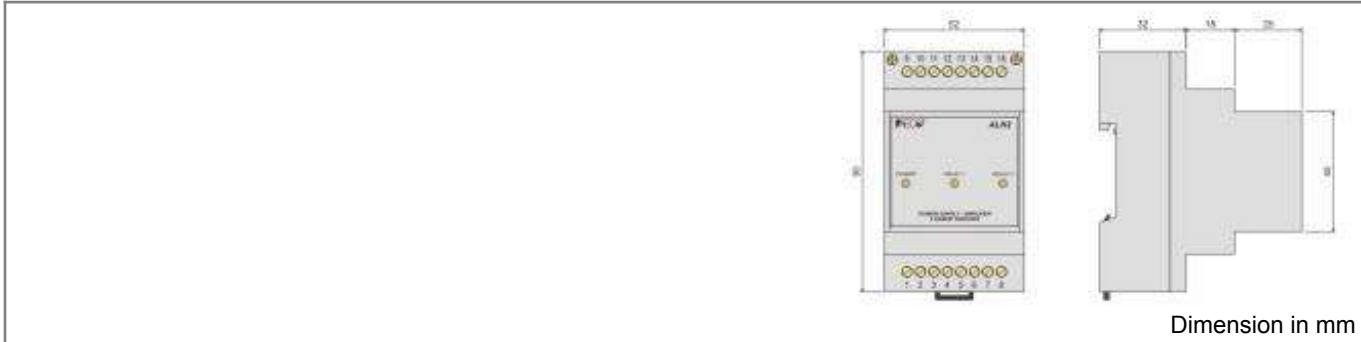
Part number: APL000040 - Model: ALN2 24 Vac/dc

WIRING DIAGRAM



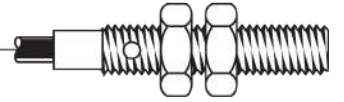


Part number: APL000041 - Model: ALN2 110/220 Vac



TECHNICAL CHARACTERISTICS

Power supply:	Alternating current
Working voltage:	110/220 Vac
Output voltage:	12 Vdc
Output type:	Double changeover relay
N° of sensors to be connected:	2
Absorption:	3 VA
Max. supply current:	50 mA
Max. output current:	5 A @ 240 V
Led indicator:	Red=output / Green=power supply
Temperature limits:	-20 ÷ +60 °C
IP rating:	IP20
Housing material:	Plastic
Weight:	120 g
Mounting:	35 mm DIN rail



Part number: APL000041 - Model: ALN2 110/220 Vac

WIRING DIAGRAM

