

MAIN FEATURES

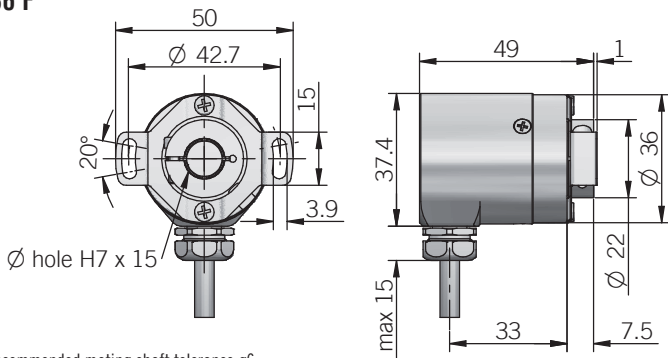
Miniaturized multiturn absolute encoder for limited size applications.

- Magnetic sensor technology without contact (Magnetic ASIC + Patented Energy Harvesting)
- Up to 55 bit as total resolution (15 bit single turn + 40 bit multiturn)
- Power supply up to +30 V DC with SSI as electrical interface
- Code reset for easy setup
- Cable or M12 output, other connectors available on cable end
- Blind hollow shaft up to 10 mm diameter
- Mounting by stator coupling or torque pin



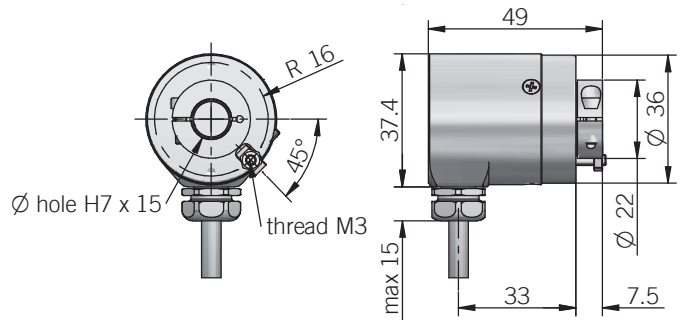
ORDERING CODE	EAM	36F	12 / 13	G	8/30	S	P	X	10	X	8	M12R	.162	+XXX
SERIES magnetic multiturn absolute encoder	EAM													
MODEL blind hollow shaft with stator coupling blind hollow shaft with torque pin	36F	36G												
MULTITURN RESOLUTION turns from 1 to 17 bit			12 / 13											
SINGLETURN RESOLUTION from 1 to 15 bit														
CODE TYPE binary gray				G										
POWER SUPPLY 5 V DC 8 ... 30 V DC					8/30									
ELECTRICAL INTERFACE Serial Synchronous Interface - SSI						S								
LOGIC positive							P							
OPTIONS to be reported if not used reset with external input								X ZE						
BORE DIAMETER (3/8") mm mm									10					
diameters 4 / 5 / 6 / 6,35 (1/4") / 8 mm with optional shaft adapter, see Accessories														
ENCLOSURE RATING IP 67 cover side / IP 65 shaft side										X				
MAX ROTATION SPEED 8000 rpm											8			
OUTPUT TYPE radial cable (standard length 0,5 m) preferred cable lengths 1,5 / 2 / 3 / 5 / 10 m, to be added after OUTPUT TYPE (eg. PCR5)												PR		
8 pin M12 radial male connector												M12R		
MATING CONNECTOR mating connector not included to be reported only with connector output (eg. M12R.162), for mating connector see Accessories													.162	
VARIANT custom version														XXX

36 F



recommended mating shaft tolerance g6
dimensions in mm

36 G



torque pin is included, for mounting instruction please refer to product installation notes

ELECTRICAL SPECIFICATIONS

Multiturn resolution	1 to 17 bit for multiturn resolution > 17 bit please contact our offices
Singleturn resolution	1 to 15 bit
Power supply¹	5 = 4,75 ... 5,25 V DC 8/30 = 7,6 ... 30 V DC (reverse polarity protection)
Power draw without load	< 400 mW
Electrical interface²	RS-422 (THVD1451 or similar)
Auxiliary inputs (U/D - RESET)	active high (+V DC) connect to 0 V if not used / RESET t_{min} 150 ms
Clock frequency	100 kHz ... 1 MHz
Code type	binary or gray
SSI monostable time (Tm)	20 µs
SSI pause time (Tp)	> 35 µs
SSI frame	Tree format (MSB ... LSB) up to 12 bit multiturn = length 25 bit (12MT + 13ST) 13 to 14 bit multiturn = length 27 bit (14MT + 13ST) 15 to 17 bit multiturn = length 32 bit (17MT + 15ST)
SSI status and parity bit	on request
Counting direction	decreasing clockwise (shaft view)
Start-up time	150 ms
Accuracy	± 0,35° max
Electromagnetic compatibility	according to 2014/30/EU directive
RoHS	according to 2011/65/EU directive
UL / CSA	certificate n. E212495

¹ as measured at the transducer without cable influences
² for further details refer to OUTPUT LEVELS on TECHNICAL BASICS section
³ maximum load for static usage
⁴ measured on the transducer flange
⁵ condensation not allowed

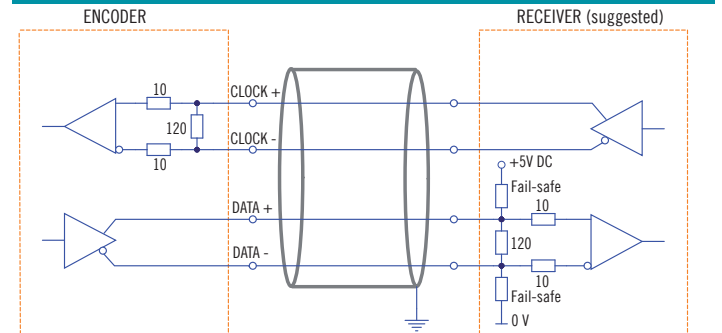
CONNECTIONS

Function	Cable	8 pin M12
+ V DC	red	8
0 V	black	5
DATA +	green	3
DATA -	brown	2
CLOCK +	yellow	4
CLOCK -	orange	6
U / D	red / blue	7
RESET	white	1
≡	shield	housing

MECHANICAL SPECIFICATIONS

Bore diameter	∅ 9,52 (3/8") / 10 mm ∅ 4* / 5* / 6* / 6,35 (1/4")* / 8* mm * with optional shaft adapter, please refer to Accessories
Enclosure rating	IP 67 cover side / IP 65 shaft side (IEC 60529)
Rotation speed	8000 rpm continuous / 10000 rpm max
Max shaft load³	20 N axial / radial
Shock	50 G, 11 ms (IEC 60068-2-27)
Vibration	20 G, 10 ... 2000 Hz (IEC 60068-2-6)
Moment of inertia	0,001 x 10 ⁻⁶ kgm ² (0,02 x 10 ⁻⁶ lbf ²)
Starting torque (at +20°C / +68°F)	< 0,01 Nm (1,42 Ozin)
Bearing stage material	EN-AW 2011 aluminium
Shaft material	1.4305 / AISI 303 stainless steel
Shaft adapter material	CuSn12 / CC483K bronze
Housing material	1.0503 / AISI 1045 chrome plated steel
Bearings	n.2 ball bearings
Bearings life	10 ⁹ revolutions
Operating temperature^{4,5}	-30° ... +100°C (-22° ... +212°F) -25° ... +85°C (-13° ... +185°F) with M12 connector
Storage temperature⁵	-25° ... +85°C (-13° ... +185°F)
Weight	150 g (5,29 oz)

SSI SCHEMATICS



M12 connector (8 pin)
M12 A coded
solder side view FV

